



# Series 068 | Flapper Isolation Valves

2 and 3-Way Isolation Solenoid Valves

## Applications

- Hematology
- Chromatography
- DNA Sequencing
- Liquid Sample Preparation
- Immunoassay Testing
- Oncology
- Chemical Sterilization
- Water Quality Monitoring

## Features & Benefits

- **Hermetic Separation**
  - Separation of fluid and control mechanism reduces heat transfer and prevents particulate contamination caused by friction of the mechanical components
  - Ensures reliable operation in applications with highly aggressive fluids
- **Mounting Options**
  - Available in three mounting options to ensure system compatibility
- **Vacuum Operation Capabilities**
  - Excellent operating characteristics under vacuum conditions
- **Flapper Mechanism**
  - Fast response time and exceptional volume control result in higher productivity and more precise measurements
  - No sticking and low pumping effects
- **Low Power**
  - Power-save option available
- **Long Life**
  - REASON FOR LONG LIFE??? (tested in excess of 10 million cycles)
- **Self-Draining Capability**
  - Good self-draining capability and easy-to-flush internal cavity reduces excess reagent
- **Many constructions available as part of the ASCO Today program to help keep production lines running smoothly**



## Specifications

Series	Port Thread	Orifice Sizes	Flow Coefficient (Cv)	Max. Pressure psi (bar)	Media Temperature °F (°C)	Ambient Temperature °F (°C)	Wattage at 68°F (20°C)
068 Flapper Isolation	Pad Mount	0.031" - 0.063" (0.8mm - 1.6mm)	0.017 - 0.063	116 (8)	32 to 158 (0 to 70)	50 to 122 (10 to 50)	4
	1/4-28 UNF						
	Hose Barb						



*Specialists in Valves, Controls, Pneumatics, Fluid Measurement*

The 068 Series 16 mm wide flapper isolation valve is designed to control the flow of neutral or aggressive fluids. The 068 Series offers the following benefits:

- Create separation between the solenoid and fluid
- Excellent self-draining capability and easy-to-flush internal cavity
- "Flapper" mechanism yields no pumping or sticking effect

## Construction

Valve Wetted Parts	
Body	PEEK
Diaphragm	FFKM, EPDM, FKM

## Electrical

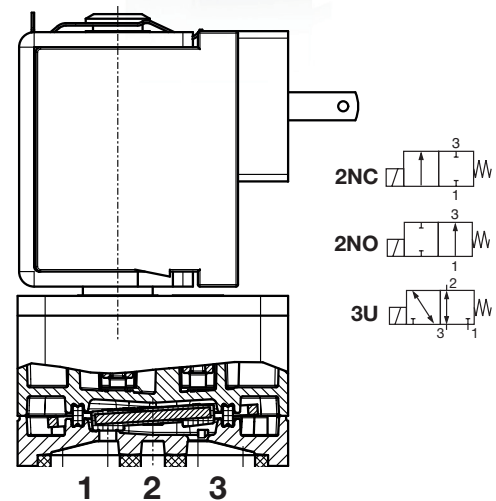
Standard Voltages	12 VDC, 24 VDC
Coil Insulation	311°F (155°C)
Power Consumption	4 W
Duty Cycle	Consult ASCO
Electrical Connection	DIN Spade Connectors, Flying Leads
DIN Connector	Size 2.8 mm x 0.5 mm, DIN 46340

## Valve

Response Time	< 20 ms
Internal Volume	< 75µl (connections not included)
Maximum Viscosity of Fluid	20 cSt (mm <sup>2</sup> /s)

## Alternate Construction Options

Many alternate constructions/options are available, including power save circuit. Minimum quantities apply.



## Temperature Range:

Ambient:  
41°F to 122°F (5°C to 50°C)

Media:  
41°F to 122°F (5°C to 50°C)

## Approvals:

Meets Applicable CE directives

## Specifications

Port Type	Orifice Size in (mm)	Cv Flow Factor	Operating Pressure		Catalog No.	Power (Watts)
			Vac. in Hg (bar)	Max. psi (bar)		
<b>2/2 NC - Normally Closed</b>						
Pad Mount	0.031 (0.8)	0.017	26 (0.9)	116 (8)	R068A212xxx00xx	4
	0.047 (1.2)	0.042	26 (0.9)	58 (4)	R068A214xxx00xx	4
	0.063 (1.6)	0.063	26 (0.9)	29 (2)	R068A216xxx00xx	4
<b>2/2 NO - Normally Open</b>						
Pad Mount	0.031 (0.8)	0.017	26 (0.9)	116 (8)	R068A222xxx00xx	4
	0.047 (1.2)	0.042	26 (0.9)	58 (4)	R068A224xxx00xx	4
	0.063 (1.6)	0.063	26 (0.9)	29 (2)	R068A226xxx00xx	4
<b>3/2 U - Universal Operation</b>						
Pad Mount	0.031 (0.8)	0.017	26 (0.9)	116 (8)	R068A232xxx00xx	4
	0.047 (1.2)	0.042	26 (0.9)	58 (4)	R068A234xxx00xx	4
	0.063 (1.6)	0.063	26 (0.9)	29 (2)	R068A236xxx00xx	4
1/4-28 UNF	0.031 (0.8)	0.017	26 (0.9)	116 (8)	0068A232xxx00xx	4
	0.047 (1.2)	0.042	26 (0.9)	58 (4)	0068A234xxx00xx	4
	0.063 (1.6)	0.063	26 (0.9)	29 (2)	0068A236xxx00xx	4
Hose Barb	0.031 (0.8)	0.017	26 (0.9)	116 (8)	6068A232xxx00xx	4
	0.047 (1.2)	0.042	26 (0.9)	58 (4)	6068A234xxx00xx	4
	0.063 (1.6)	0.063	26 (0.9)	29 (2)	6068A236xxx00xx	4

## Catalog Number Description and Options

<b>R068A212</b>	<b>xx</b>	<b>x</b>	<b>00</b>	<b>xx</b>
<b>Catalog Number</b>	<b>Electrical Connection</b> S0 = Spade Terminals Without Connector L0 = Flying Leads, 18" Long	<b>Seal Material</b> 1 = FFKM V = FKM E = EPDM	<b>Catalog Number</b>	<b>Voltage</b> F1 = 24 VDC F3 = 12 VDC

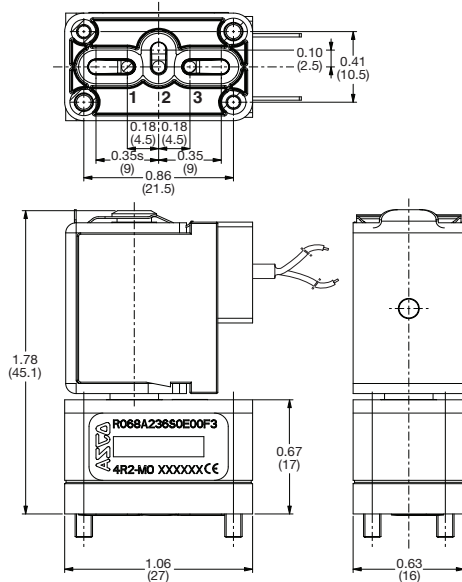
### Examples

R068A212S0100F1 = 2-Way normally closed valve with 0.031" (0.8 mm) orifice, pad mount body with spade terminals, FFKM seals, and 24 VDC coil

6068A236L0E00F3 = 3-Way valve with 0.063" (1.6 mm) orifice, hose barb body with lead wires, EPDM seals, and 12 VDC coil

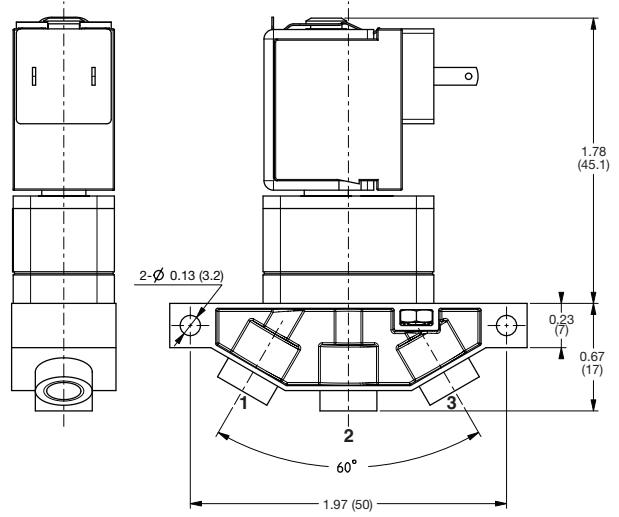
**Dimensions: Inches (mm)**

**Port Type: Pad Mount  
Weight: 1.66 oz (47g)**

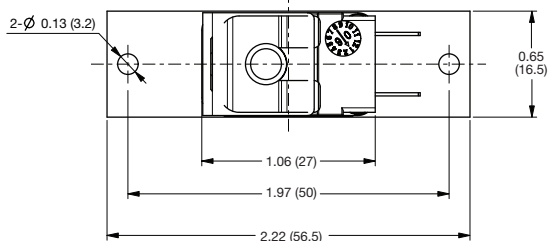
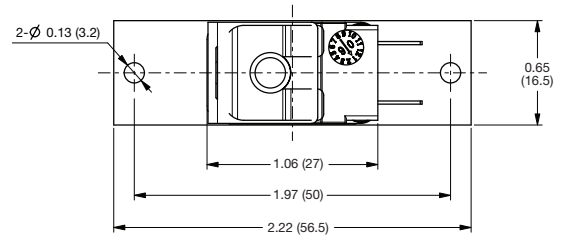
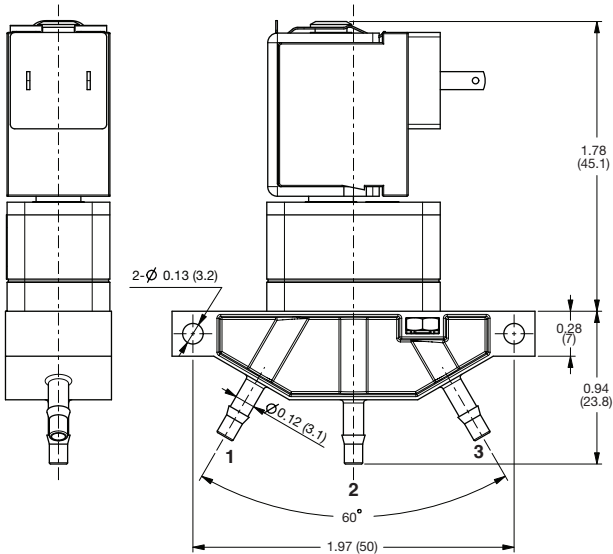


Note: 2 hexagon socket head cap mounting screws M2.5, 1.5 mm across flats, stainless steel, supplied

**Port Type: 1/4-28 UNF  
Weight: 1.87 oz (53g)**



**Port Type: Hose Barb  
Weight: 1.87 oz (53g)**



**Subbase Mounting Pattern**

