

Specifications

Orifice Size	Cv Flow Factor ⁽¹⁾	Operating Pressure (psi)		Catalog Number	Power (Watts)	Weight (oz)
		Vac (in Hg)	Max.			
2/2NC - Normally Closed						
0.030	.013	29	100	411x11xxxx	0.65	1.6
0.055	.038	29	100	411x21xxxx	2.0	1.6
0.080	.070	29	30	411x31xxxx	2.0	1.6
3/2NC - Normally Closed						
0.030 / .025	.013 / .008	29	100	411x12xxxx	0.65	1.6
0.055 / .050	.038 / .033	29	100	411x22xxxx	2.0	1.6
0.08 / .050	.070 / .033	29	30	411x32xxxx	2.0	1.6
3/2U - Universal Operation						
0.030 / .025	.013 / .008	29	100	411x13xxHx	0.65	1.6
0.055 / .050	.038 / .033	29	50	411x23xxHx	2.0	1.6
0.08 / .050	.070 / .033	29	30	411x33xxHx	2.0	1.6

(1) Cv Flow Factors are nominal

Catalog Number Description and Options

411	x	11	xx	x	x	x
Catalog Number	Mounting Style	Catalog Number	Voltage	Electrical Connection	Sealing Material	Option Suffix
	M = Manifold, #10-32 UNF L = Line, #10-32 UNF K = Manifold, M5 J = Line, M5		05 = 5 VDC 06 = 6 VDC 12 = 12 VDC 24 = 24 VDC	F = .110 Spade H = Hardwire	V = FKM E = EPDM B = NBR	O = Oxygen Service P = Label Pressure units in kPa S = Stainless Steel Body

To Construct Catalog Number

- Select catalog numbers
- Insert mounting style into 4th digit
- Insert voltage into 7th & 8th digits
- Insert electrical connection into 9th digit
- Insert seal material into 10th digit
- Insert option code into 11th digit (if more than one option code, put in alphabetical order)

Note:

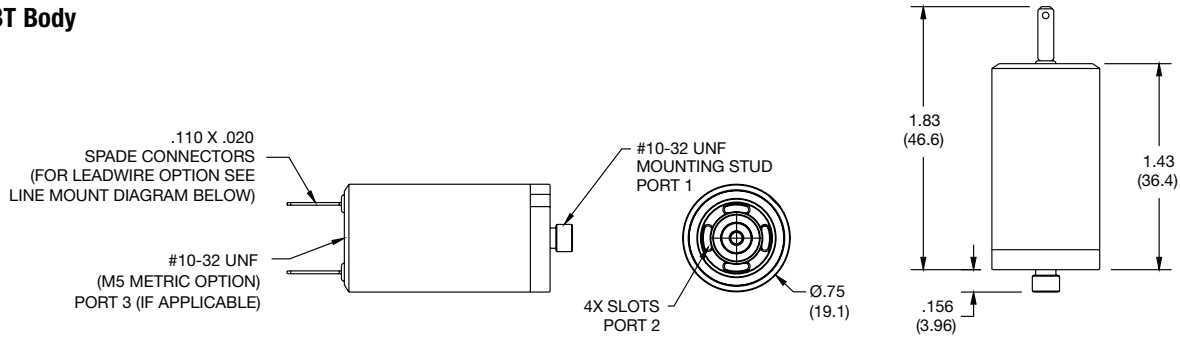
- Oxygen Service valves available with FKM or EPDM Seals only
- 3-Way Universal operation only available with hardwire electrical connection (H)

Examples

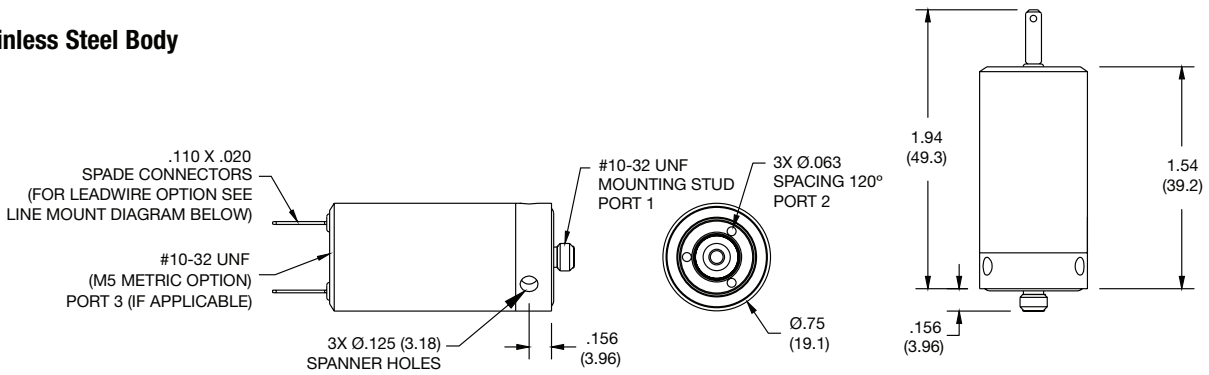
- 411M1124FV = 2-way normally closed manifold mount valve with 0.030 orifice, 24 VDC coil rating at 0.65 Watts, .110 spade connection, FKM seals
- 411L3212HV = 3-way normally closed line mount valve with 0.080 orifice, 12 VDC coil rating at 2.0 Watts, hard wire coil, FKM seals
- 411K1124HVOS = 2-way normally closed manifold mount and M5 stud with 0.030 orifice, 24 VDC coil rating at 0.65 watts, hardwire coil, FKM seals, clean for Oxygen use and Stainless Steel body

Dimensions: - 2 and 3-Way Manifold Mount Solenoid: Inches (mm)

PBT Body

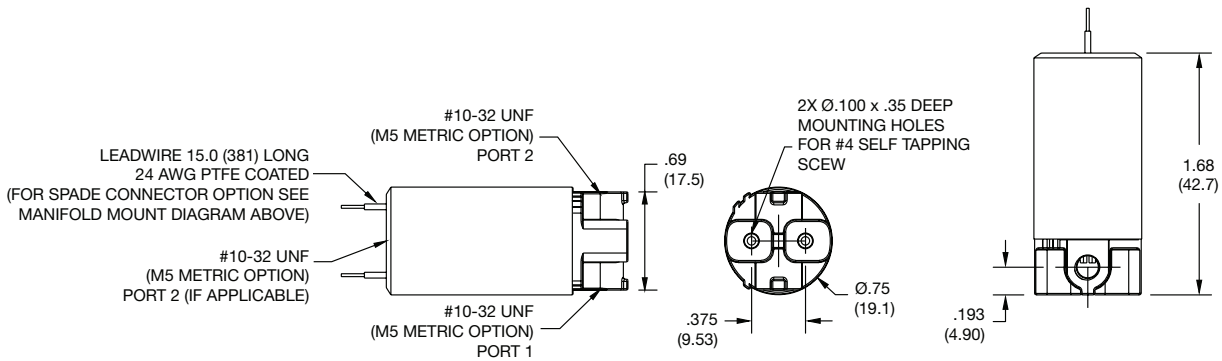


Stainless Steel Body



Dimensions: - 2 and 3-Way Line Mount Solenoid: Inches (mm)

PBT Body



Stainless Steel Body

