



FEATURES

- NSF-61-G
- Dry top multi-jet design
- Tolerates low quality water
- Simple pulse output

APPLICATIONS

- Potable water
- Cooling tower chemical control
- Industrial water treatment
- Deduct metering



Certified to
NSF/ANSI 61-G

GENERAL INFORMATION

MJN-Series meters use the multi-jet principle, which has been an internationally-accepted standard for many years. This type of meter is known for its wide range, simplicity, and accuracy in low-quality water. The Seametrics MJN-Series is **NSF-61-G certified**. The impeller is centered in a ring of jets, with inlet jets on one level and outlet jets on another. A gear train drives the register totalizer dials. For pulse output, one of the pointers is replaced by a magnet, which is detected by an encapsulated sensor attached to the outside of the lens. Pulse rate is determined by the dial on which the magnet is placed, and by the number of sensors (single or double).

Changing the pulse rate requires no special tools and can be done in the field.

Mechanically, all MJN-Series meters are the same. The difference among MJNE, MJNR and MJNT meters is in the sensor. MJNE meters use a solid-state, long-lasting Hall-effect sensor, which requires power. It is suited for use with Seametrics controls and metering pumps (LMI for instance) that have sensor power. MJNR meters use a two-wire reed switch. They provide a dry contact closure and do not require power. MJNT meters totalize only and do not have a sensor.

FEATURES



Either MJNE or MJNR sensor fastens to lens without removing top

Calibration plug seal wire for tamper evidence

Eco-brass alloy body

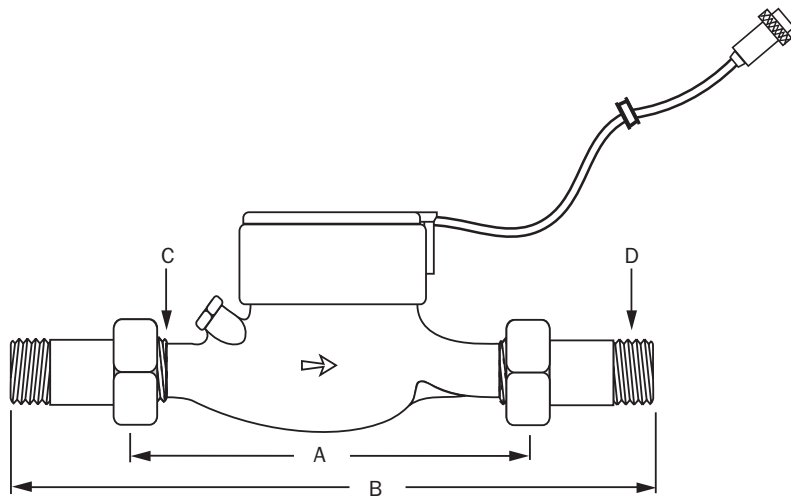
Union end couplings for easy service

SPECIFICATIONS*

Power	6 mA at 12 Vdc (MJNE only)			
Temperature	105° F (40° C) max			
Pressure	150 psi operating			
Materials	Body	Eco-brass alloy		
	Internals	Engineered thermoplastic		
	Magnet	Alnico		
Accuracy	+/- 1.5% of reading			
Pulse Output		MJNE	MJNR	MJNT
	Sensor	Hall-effect device	Reed switch	Totalizer only
	Max Current	20 mA	20mA	n/a
	Max Voltage	24 Vdc	24 Vdc or Vac	n/a
Cable Length	12' (4 m) standard (2000' maximum run)			
Flow Rates (GPM)	3/4"	1"	1-1/2"	2"
	Minimum	0.22	0.44	0.88
	Maximum	22	52	88
Regulatory	NSF61-G			

*Specifications subject to change • Please consult our website for current data (www.seametrics.com).

DIMENSIONS



	3/4"	1"	1-1/2"	2"
A (body)	7-1/2"	10-1/4"	11-3/4"	11-3/4"
B (w/couplings)	12-5/8"	15-5/8"	17-5/8"	17-5/8"
C (IPS thread)	1"	1-1/4"	2"	2-1/2"
D (NPT thread)	3/4"	1"	1-1/2"	2"

PULSE RATES

	3/4"	1"	1-1/2"	2"
Pulses per Gallon	20*			
	10			
	4†	4†	4†	4†
	2*	2*	2*	2*
Gallons per Pulse	1	1	1	1
	5*	5*	5*	5*
	10	10	10	10
	50*	50*	50*	50*
Cubic Feet per Pulse	1	1	1	1
	5*	5*	5*	5*
	10	10	10	10
	100	100	100	100

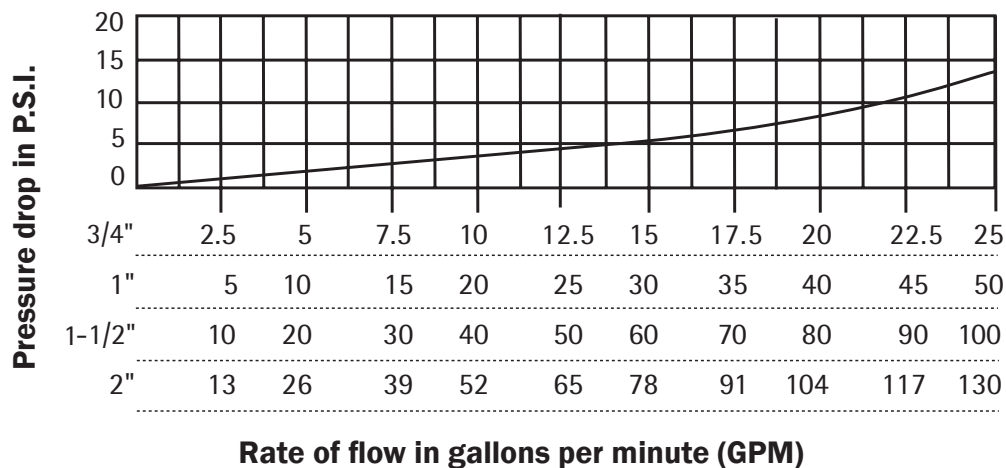
*These pulse rates available in MJNR dual reed switch meters only.

†This pulse rate available in MJNR single reed switch meters only.

FLOW RATES (GPM)

	3/4"	1"	1-1/2"	2"
Minimum	0.22	0.44	0.88	1.98
Maximum	22	52	88	132

PRESSURE DROP CURVE



HOW TO ORDER

MODEL	SIZE	PULSE RATE	OPTIONS
Reed switch = MJNR Hall-effect sensor = MJNE Totalizer only = MJNT	3/4" = -075 1" = -100 1-1/2" = -150 2" = -200	†*20 Pulse/Gal = 20P †10 Pulse/Gal = 10P *4 Pulse/Gal = 4P *2 Pulse/Gal = 2P 1 Gal/Pulse = 1G *5 Gal/Pulse = 5G 10 Gal/Pulse = 10G *50 Gal/Pulse = 50G 100 Gal/Pulse = 100G 1 CF/Pulse = 1CF *5 CF/P = 5CF 10 CF/P = 10CF	LMI pump connector = -06 Seametrics control connector = -07
ACCESSORIES Pulse divider = PD10 Pulse splitter = PS40 Pulse timer = PT35			

†3/4" Only
*MJNR Meters Only

CONTACT YOUR SUPPLIER

Offered by:



Specialists in Valves, Controls, Pneumatics, Fluid Measurement