











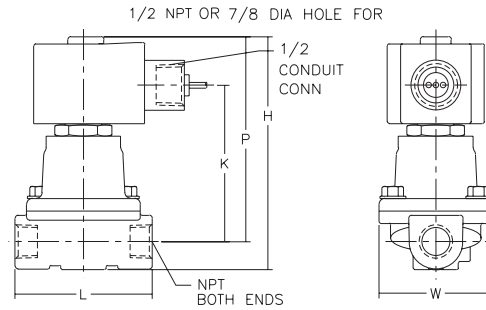


## Dimensions inches (mm)

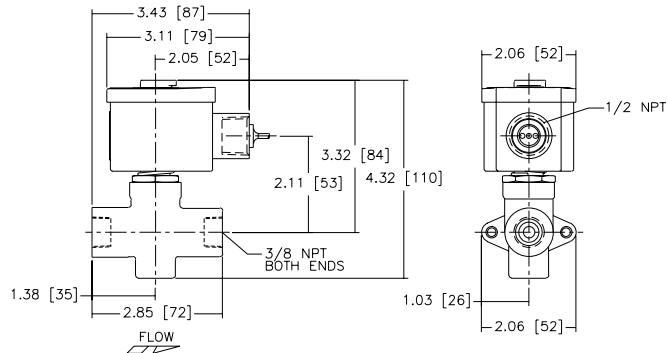
Const. Ref.		H	K	L	P	W
6	ins.	4.68	3.15	2.75	4.12	2.28
	mm	119	80	70	105	58
11	ins.	4.97	3.45	2.81	4.28	2.28
	mm	126	88	71	109	58
13	ins.	5.82	3.22	3.75	4.19	3.31
	mm	148	82	95	106	84
14	ins.	5.81	3.22	3.75	4.19	3.14
	mm	148	82	95	106	80
15	ins.	5.81	3.22	3.66	4.19	3.56
	mm	148	82	93	106	90
16	ins.	6.29	3.37	4.38	4.34	4.10
	mm	160	86	111	110	104
17	ins.	7.51	3.78	5.06	4.75	4.71
	mm	191	96	129	121	120
18	ins.	7.51	3.78	5.50	4.75	5.18
	mm	191	96	140	121	132
23	ins.	6.46	3.36	3.75	4.86	3.14
	mm	164	85	95	123	80
24	ins.	6.39	3.36	3.66	4.86	3.56
	mm	162	85	93	123	90
25	ins.	6.97	3.51	4.38	5.01	4.10
	mm	177	89	111	127	104
26	ins.	8.18	3.92	5.06	5.42	4.71
	mm	208	100	129	138	120
27	ins.	8.18	3.92	5.50	5.42	5.18
	mm	208	100	140	138	132
29	ins.	5.04	3.34	2.81	4.31	2.28
	mm	128	85	71	109	58
38	ins.	5.64	3.15	3.75	4.01	3.14
	mm	143	80	95	102	80
39	ins.	5.64	3.15	3.66	4.01	3.56
	mm	143	80	93	102	90
40	ins.	6.11	3.30	4.38	4.16	4.10
	mm	155	84	111	106	104
41	ins.	7.35	3.63	5.06	4.58	4.71
	mm	187	92	129	116	120
42	ins.	7.35	3.63	5.50	4.58	5.18
	mm	187	92	140	116	132
45	ins.	6.53	3.36	3.75	4.91	3.14
	mm	166	85	95	125	80
46	ins.	6.46	3.36	3.66	4.91	3.56
	mm	164	85	93	125	90
47	ins.	7.03	3.51	4.38	5.06	4.10
	mm	179	89	111	129	104
48	ins.	8.22	3.97	5.06	5.47	4.71
	mm	209	101	129	139	120
49	ins.	8.22	3.97	5.50	5.47	5.18
	mm	209	101	140	139	132
53	ins.	5.82	3.21	3.75	4.2	3.27
	mm	148	82	95	106	83

\* Valves must be mounted with solenoid vertical and upright.

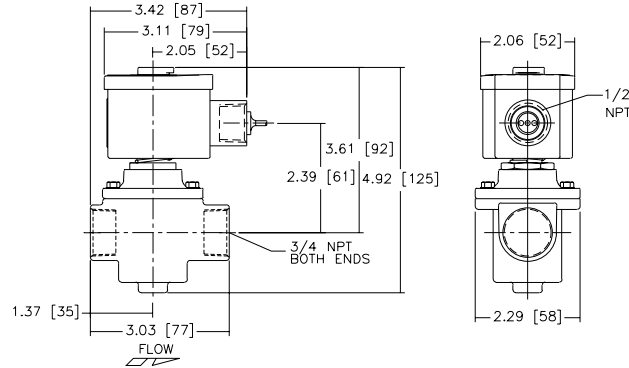
### Const. Ref. 6, 11, 13, 29



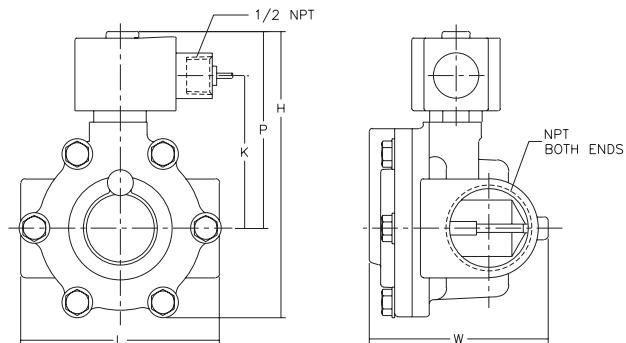
### Const. Ref. 19\*



### Const. Ref. 20\*



### Const. Ref. 14-16, 23-25, 45-49, 53



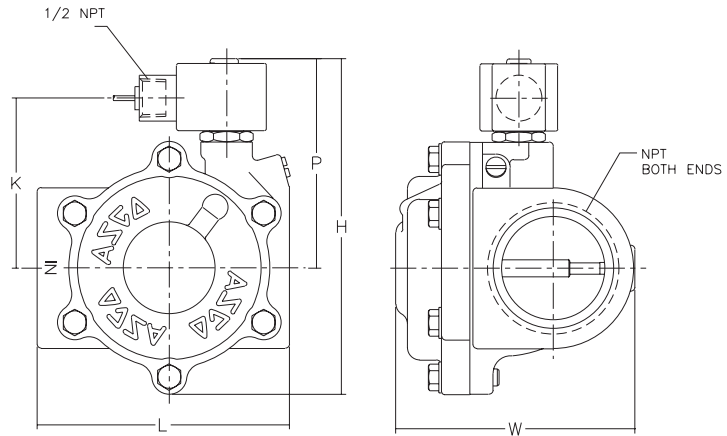
(BOLT PATTERN MAY VARY)

**SPECIAL SERVICE VALVES**

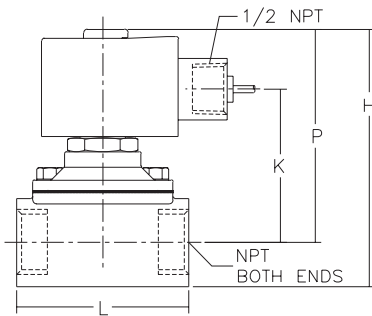
**Dimensions inches (mm)**

Const. Ref.		H	K	L	P	W
21	ins.	5.11	3.13	2.71	4.35	3.58
	mm	130	80	69	111	91
22	ins.	5.30	3.29	2.78	4.51	3.58
	mm	135	84	71	115	91
28	ins.	4.17	2.47	2.81	3.44	2.28
	mm	106	63	71	87	58
30	ins.	5.82	3.22	3.75	4.19	4.44
	mm	148	82	95	106	113
31	ins.	3.25	1.70	2.00	2.67	1.95
	mm	83	43	51	68	50
36	ins.	4.32	2.69	2.71	3.56	3.45
	mm	110	68	69	90	88
43	ins.	5.12	3.14	2.71	4.35	3.65
	mm	130	80	69	111	93
44	ins.	5.30	3.30	2.78	4.51	3.65
	mm	135	84	71	115	93

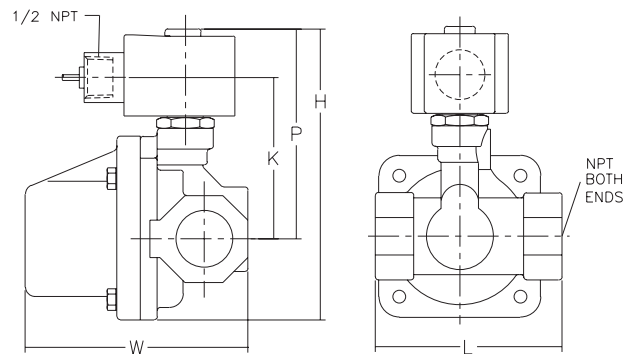
**Const. Ref. 17, 18, 26, 27, 38-42**



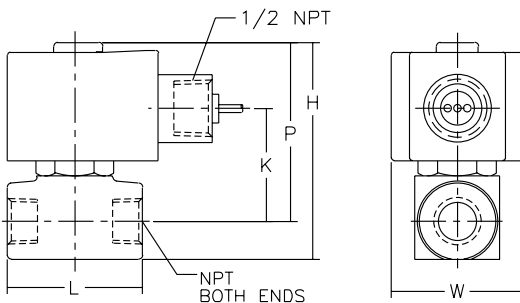
**Const. Ref. 28**



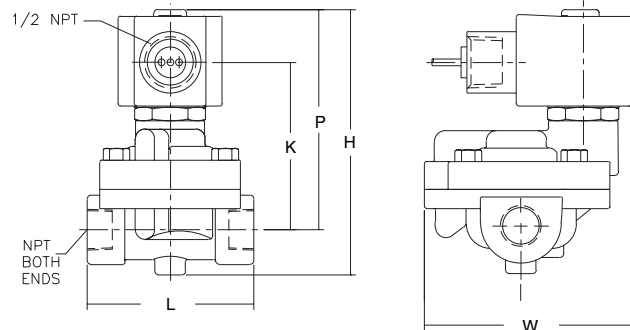
**Const. Ref. 30**



**Const. Ref. 31**



**Const. Ref. 21, 22, 36, 43, 44**



**SPECIAL SERVICE VALVES**