



Monnier Valve Sandwich Block and Manifold Mounted Regulators are designed to be mounted between a pneumatic valve sub-base and a valve body.

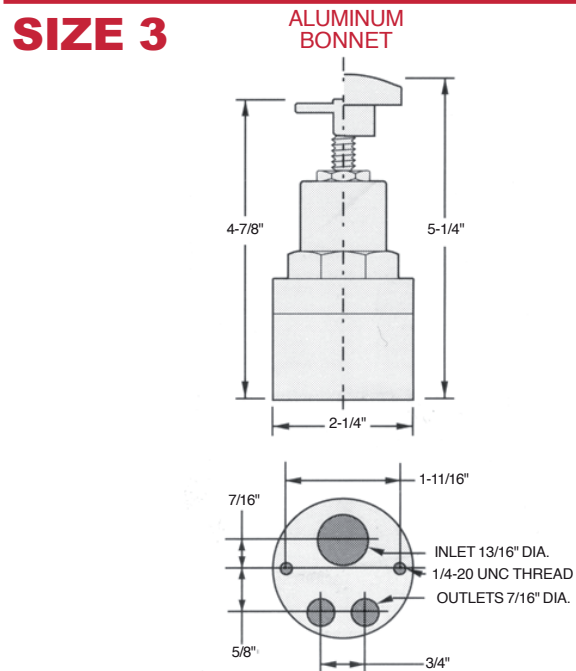
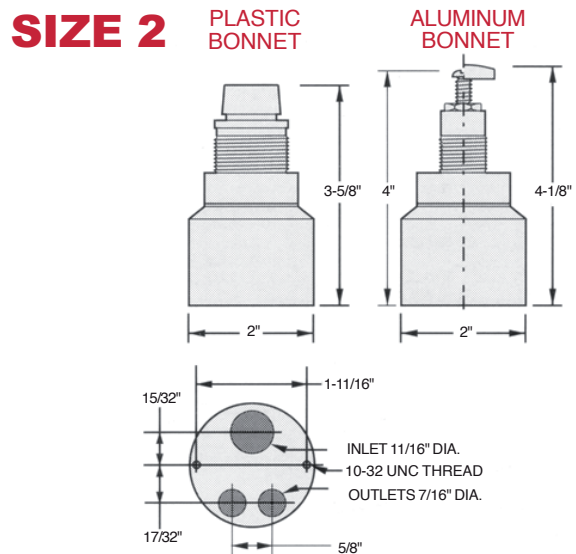
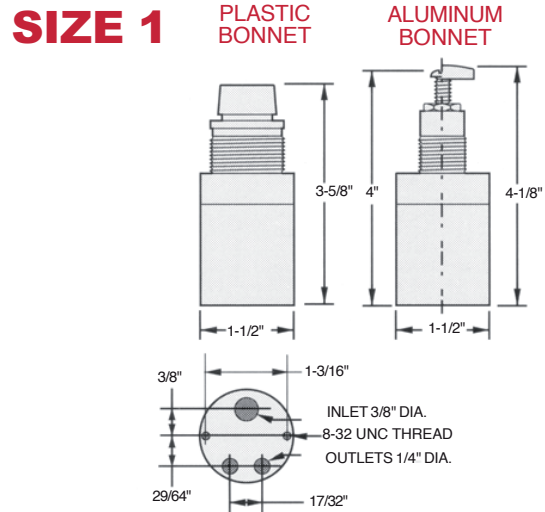
All units have aluminum bodies. Size 1 and 2 units are available with either polycarbonate or aluminum bonnets. Size 3 is available with an aluminum bonnet only.

An adjusting T-handle is standard on Size 3 units. Size 1 and 2 models with aluminum bonnets have adjusting screws. Seals are Buna-N.

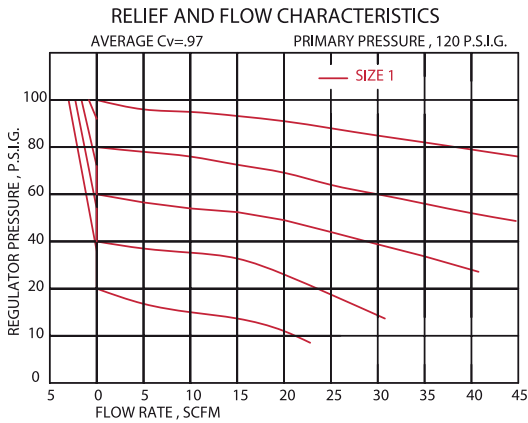
Order manifolds by number of stations required and size of regulators. Ex: M4-3BA1 - Four station manifold with size three regulators (anodized blue) and mounting bracket. Order regulators separately.

Aluminum Bonnet				
Optimum Pressure Range	Size 1		Size 2	
	Relieving	Non-Relieving	Relieving	Non-Relieving
10 to 110	R01-10A	R01-11A	R01-20A	R01-21A
4 to 45	R01-12A	R01-13A	R01-22A	R01-23A
2 to 20	R01-14A	R01-15A	R01-24A	R01-25A
20 to 220	R01-16A	R01-17A	R01-26A	R01-27A
Polycarbonate Bonnet				
10 to 110	R01-10P	R01-11P	R01-20P	R01-21P
4 to 45	R01-12P	R01-13P	R01-22P	R01-23P
2 to 20	R01-14P	R01-15P	R01-24P	R01-25P

Aluminum Bonnet			
Optimum Pressure Range	Size 3		Non-Relieving
	Relieving	Non-Relieving	
10 to 130	R01-30A	R01-31A	R01-31A
5 to 60	R01-32A	R01-33A	R01-33A
3 to 30	R01-34A	R01-35A	R01-35A
20 to 250	R01-36A	R01-37A	R01-37A

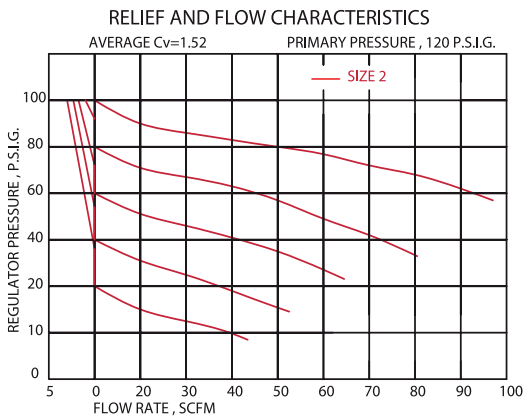


RELIEF AND FLOW CHARACTERISTICS



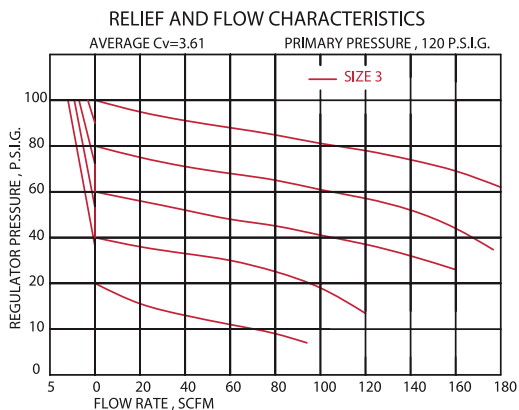
INVERSE PRESSURE EFFECT

For each 25 PSI primary pressure change, the secondary pressure reacts inversely 1 PSI.



INVERSE PRESSURE EFFECT

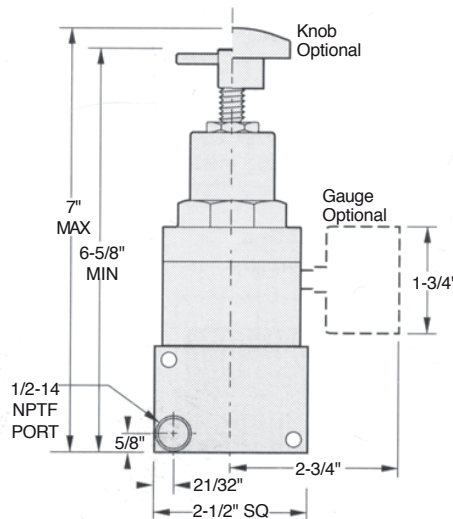
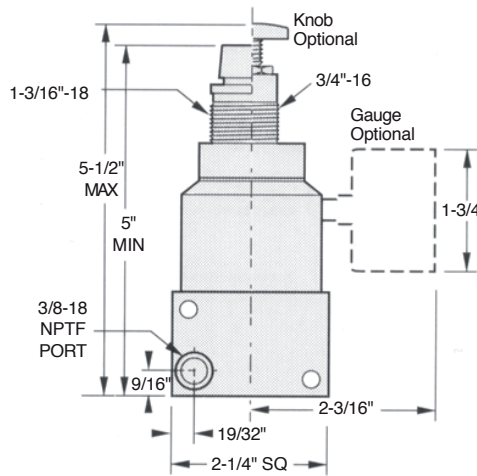
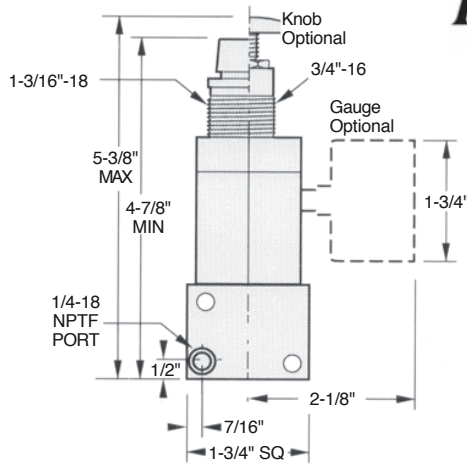
For each 50 PSI primary pressure change, the secondary pressure reacts inversely 1 PSI.



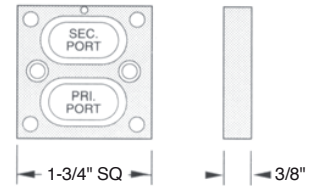
INVERSE PRESSURE EFFECT

For each 50 PSI primary pressure change, the secondary pressure reacts inversely 1 PSI.

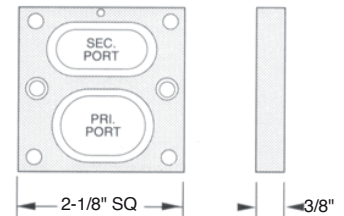
MANIFOLDS



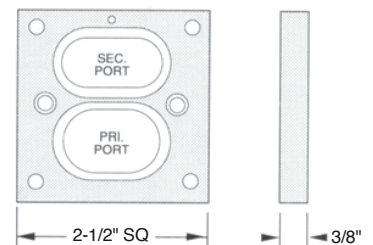
ADAPTER PLATES



**ADAPTER PLATE KIT
SIZE ONE**
Order Part Number 11708



**ADAPTER PLATE KIT
SIZE TWO**
Order Part Number 11718



**ADAPTER PLATE KIT
SIZE THREE**
Order Part Number 11733

Adapter plates used for mounting regulator to your manifold or sandwich block. Please consult factory for interface dimensions and sizes.

O'Keefe Controls Co.

*Specialists in Valves, Controls,
Pneumatics, Fluid Measurement*