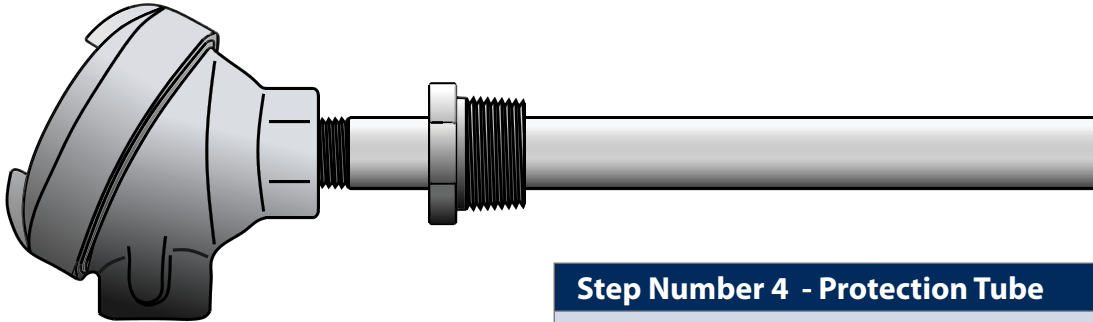




Thermocouples

Metal Pipe Assemblies

The "Series 2M" thermocouples are heavy-duty metallic pipe protected thermocouples. Wire gauge ranges from 24 AWG to 8 AWG depending upon the protection tube dimensions and thermocouple type. A wide variety of protection tube materials are available. These assemblies can be supplied with an optional mounting bushing or adjustable flange. The screw cover connection head is available in Cast Iron, Cast Aluminum, or Stainless Steel.



Step Number 1 - Style

2M	Designates Straight Metal Pipe Assembly
-----------	---

Step Number 2 - Calibration

ISA Type	Conductor	
	Positive	Negative
T	Copper	Constantan®
J	Iron	Constantan®
E	Chromel®	Constantan®
K	Chromel®	Alumel®
N	Nicrosil®	Nisil®
S	Platinum 10% Rhodium	Platinum
R	Platinum 13% Rhodium	Platinum
B	Platinum 30% Rhodium	Platinum 6% Rhodium

Step Number 3 - Number of Elements

I	Simple
D	Duplex

O'Keefe Controls Co.

Specialists in Valves, Controls, Pneumatics, Fluid Measurement

4 Maple Drive, Monroe, CT, 06468

Phone: (203) 261-6711

Fax: (203) 261-8331 • www.okcautomation.com

Step Number 4 - Protection Tube

Tube # Designates Material and Dimensions of Protection Tube		
Material	OD	Tube #
Black Iron	1/8" (.405)	8513
	1/4" (.540)	8517
	1/2" (.840)	8527
	3/4" (1.050)	8534
	1" (1.315)	8542
304 Stainless Steel	1/8" (.405)	8413
	1/4" (.540)	8417
	1/2" (.840)	8427
	3/4" (1.050)	8434
	1" (1.315)	8442
316 Stainless Steel	1/8" (.405)	8313
	1/4" (.540)	8317
	1/2" (.840)	8327
	3/4" (1.050)	8334
	1" (1.315)	8342
310 Stainless Steel	1/4" (.540)	7617
	1/2" (.840)	7627
	3/4" (1.050)	7634
	1" (1.315)	7642
	NABALOY® 330 Stainless Steel	1/4" (.540)
1/2" (.840)		8827
3/4" (1.050)		8834
1" (1.315)		8842
DETERHEAT® 446 Stainless Steel		1/4" (.540)
	1/2" (.840)	8227
	3/4" (1.050)	8234
	1" (1.315)	8242
	INCONEL® 600	1/4" (.540)
1/2" (.840)		8627
3/4" (1.050)		8634
1" (1.315)		8642
HAYNES HR160®		1/2" (.840)
	3/4" (1.050)	6034
	1" (1.315)	6042

How to Order

Step	1	2	3	4
Code	Style	ISA Calibration	Number of Elements	Tube #
Example	2M	- K	- I	- 8634