

Dial Indicating Pressure Gauges

Brass Case Liquid Filled



300 SERIES

- High quality liquid filled gauges designed for durability, accuracy and long life
- Pressure ranges from vacuum through 15,000 psi
- 2-1/2 and 4 inch sizes – bottom or back connected
- Heavy one-piece die casting integrates the case, connection, movement and bourdon tube support into a solid unit to eliminate leakage
- Glycerine fill greatly reduces effects of vibration, pulsation and shock
- Dials are printed with bold UV resistant ink for ease of readability even after years of exposure to direct sunlight
- Stock availability

OPERATING SPECIFICATIONS

1. Working Pressure Limitations

a. Dynamic Pressure

The working pressure should be limited to 60% of the dial range for long service life.

b. Static Pressure

The working pressure, where no sharp fluctuations occur, should be limited to 90% of the dial range

2. Ambient Temperature

0°F to 160°F (-18°C to 71°C)

Please contact us for assistance in selecting the best fill for your application.

3. Media Temperature

-4°F to 140°F (-20°C to 60°C)

Optional temperature ratings available from -40°F to 212°F (-40°C to 100°C)

APPLICATIONS

- Used in demanding applications that are not corrosive to brass, where vibration and pulsation are present

ACCURACY

- 2-1/2 Inch 300 Series Gauges: ±1.5%
- 4 Inch 300 Series Gauges: ±1.0%

	MODELS	SPECIFICATIONS
Case	25-300, 25-310, 40-300, 40-310	Die cast brass – Natural brass finish
Cover Ring	25-300, 25-310, 40-300, 40-310	Polished brass
Lens	25-300, 25-310, 40-300, 40-310	Molded Plexiglass™ with O-Ring seal
Bourdon Tube	25-300, 25-310, 40-300, 40-310 (up to 600 psi)	Phosphor bronze "C" tube
	25-300, 25-310, 40-300, 40-310 (greater than 600 psi)	Coiled safety tube
Connection	25-300, 25-310	1/4" NPT die cast with the case. 7/16" – 20 SAE adjustable type straight thread with Viton O-Ring is also available as a stock option on many ranges (-4 SAE).
	40-300, 40-310	1/4" NPT die cast with the case. 1/2" NPT is available on certain 40-300 ranges as a stock option, and on all other 40-300 and 40-310's as a non-stock option.
Movement	25-300, 25-310, 40-300, 40-310	Brass and Nickel-Silver with highly polished bearing surfaces
Safety Protection	25-300, 25-310, 40-300, 40-310	Safety relief disc on the top of the case
Accuracy	25-300, 25-310	± 1.5% Full Scale ASME grade A
	40-300, 40-310	± 1% Full Scale ASME grade 1A
Pointer	25-300, 25-310, 40-300, 40-310	Balanced aluminum, black finish
Dial	25-300, 25-310, 40-300, 40-310	Aluminum, white background with black markings. Single scale psi is standard. psi/bar, psi/kPa, or psi/Kg/cm ² dual scale are available as stock options. On dual scale dials, the outer scale is psi in black and the inner metric scale is red. UV resistant.
Fill Liquid	25-300, 25-310, 40-300, 40-310	Glycerine and water

Offered by

O'Keefe Controls Co.

Phone (203) 261-6711

Fax: (203) 261-8331 • www.okcautomation.com

Specialists in Valves, Controls, Pneumatics, Fluid Measurement

ORDERING INFORMATION												
SERIES	300											
SIZE	25	2-1/2 Inch		40	4 Inch							
CASE TYPE	300	Brass, Bottom Connection		310	Brass, Back Connection							
PRESSURE RANGES	30 " Vac	-30 inHg to 0		30/300	-30 inHg to 0 to 300 psi		300	0 psi to 300 psi		3000	0 psi to 3000 psi	
	30/15	-30 inHg to 0 to 15 psi		15	0 psi to 15 psi		400	0 psi to 400 psi		5000	0 psi to 5000 psi	
	30/30	-30 inHg to 0 to 30 psi		30	0 psi to 30 psi		600	0 psi to 600 psi		6000	0 psi to 6000 psi	
	30/60	-30 inHg to 0 to 60 psi		60	0 psi to 60 psi		800	0 psi to 800 psi		7500	0 psi to 7500 psi	
	30/100	-30 inHg to 0 to 100 psi		100	0 psi to 100 psi		1000	0 psi to 1000 psi		10000	0 psi to 10000 psi	
	30/160	-30 inHg to 0 to 160 psi		160	0 psi to 160 psi		1500	0 psi to 1500 psi		15000	0 psi to 15000 psi	
	30/200	-30 inHg to 0 to 200 psi		200	0 psi to 200 psi		2000	0 psi to 2000 psi				
SCALE OPTION	psi	psi single scale		psi/kPa	psi/kPa dual scale		psi/kg/cm ²	psi/kg/cm ² dual scale		psi/bar	psi/bar dual scale	
CONNECTION SIZE	1/4	1/4" NPT		1/2	1/2" NPT		SST	7/16-20 Adjustable				
OPTIONS	CFF	Chrome front flange		CCR	Chrome cover ring		SGO	Safety Glass overlay		BT3	Brass threaded orifice 0.3 mm	
	BFF	Brass front flange		CB-U	Chrome bezel & u-clamp		AR	Adapter ring		BT4	Brass threaded orifice 0.4 mm	
	BLFF	Black front flange		MIP	Maximum indicating pointer		LM	Laser marking		BT8	Brass threaded orifice 0.8 mm	
	SSRF	304SS rear flange		LL	Lexan lens		ST	Stainless steel tagging		7/16-20	Straight thread available	
	BRF	Brass rear flange		GLO	Glass lens overlay							

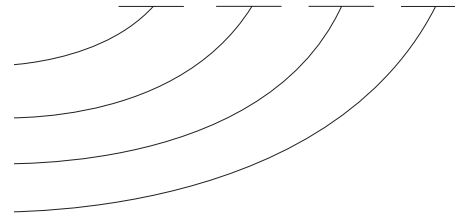
Please consult your local NOSHOK Distributor or NOSHOK, Inc. for availability and delivery information.

NOTE: Refer to 300 Series Options & Accessories chart on page 65 for availability by model number.

EXAMPLE

1. Select model number (size & case type)
2. Select pressure range & scale option
3. Select connection size (if more than one is offered)
4. Select any required accessory or option

40-300 - 3000 psi - 1/2" - BRF

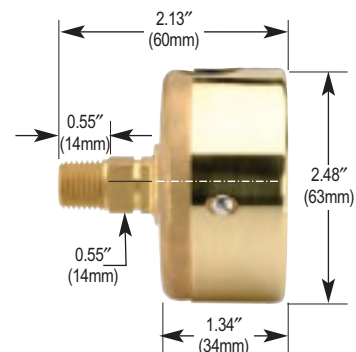
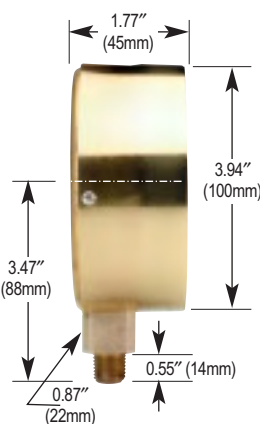
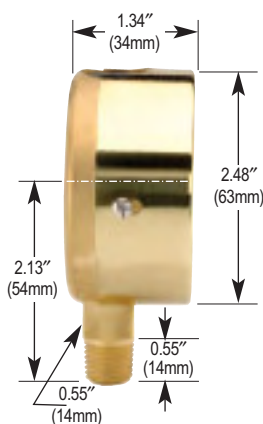


OUTLINE DIMENSIONS

25-300

40-300

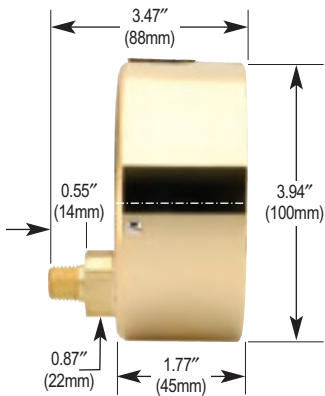
25-310



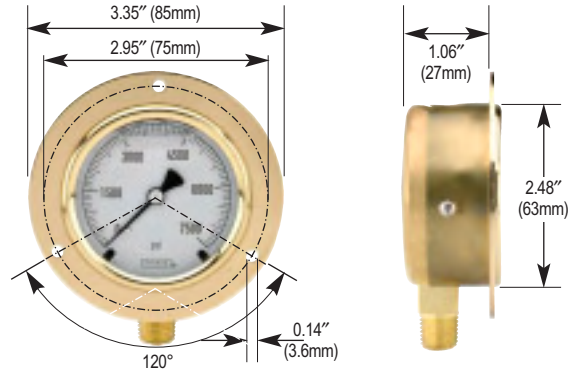
Dial Indicating Pressure Gauges

Dimensions

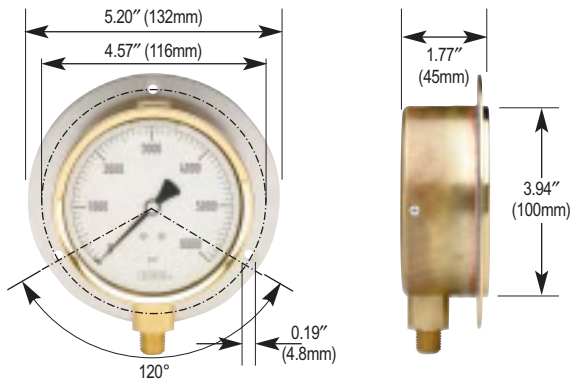
40-310



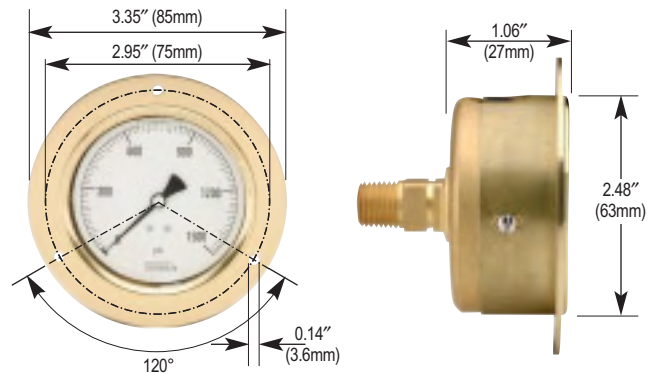
25-300 Front Flange



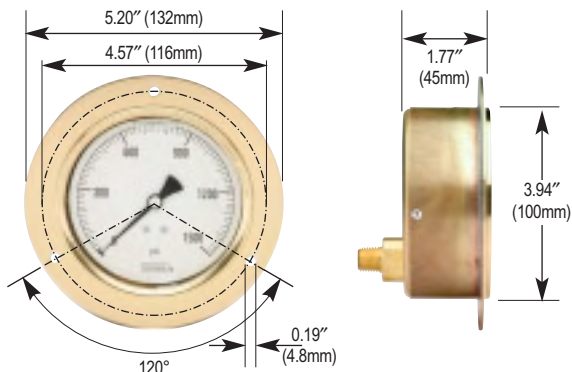
40-300 Front Flange



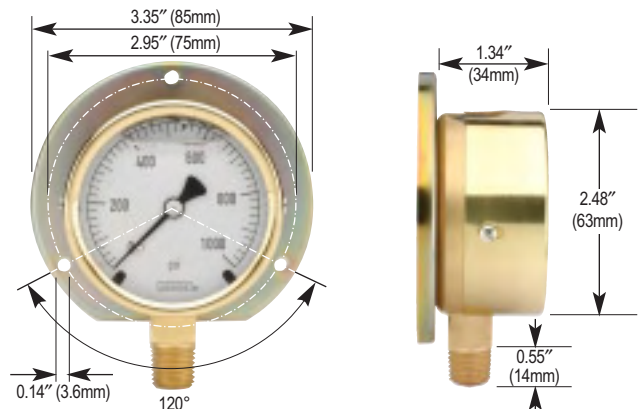
25-310 Front Flange



40-310 Front Flange



25-300 Rear Flange



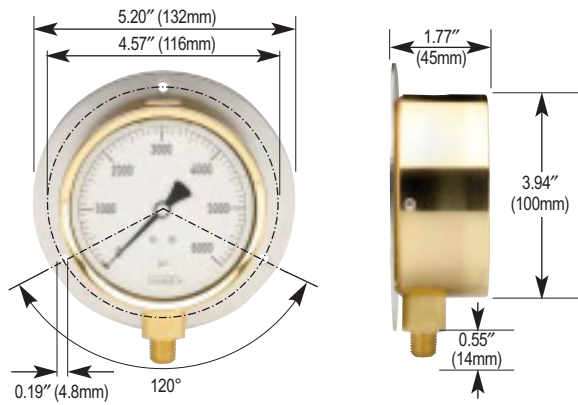
O'Keefe Controls Co.

Phone: (203) 261-6711

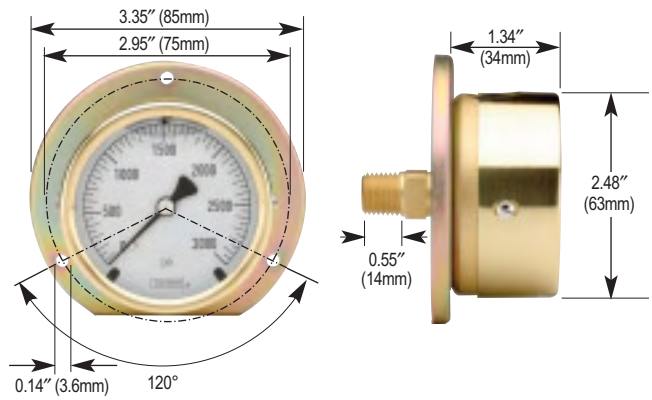
Fax: (203) 261-8331 • www.okautomation.com

Specialists in Valves, Controls, Pneumatics, Fluid Measurement

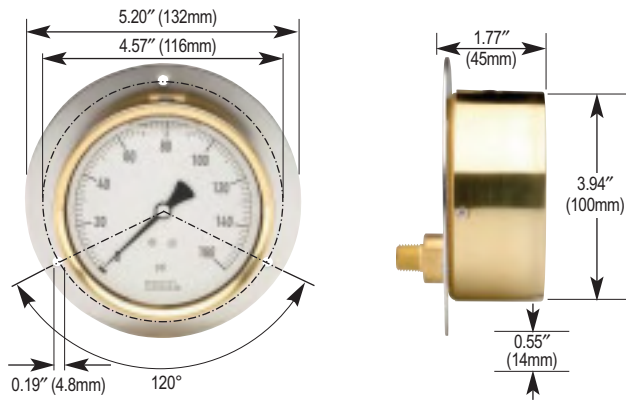
40-300 Rear Flange



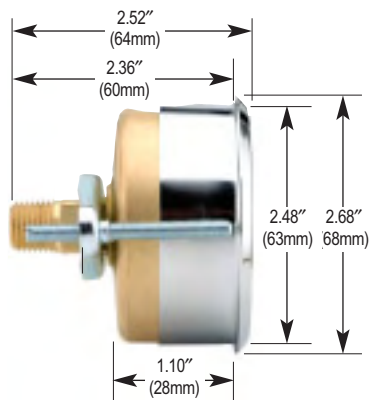
25-310 Rear Flange



40-310 Rear Flange



25-310 Chrome Triangular Bezel with U-Clamp



40-310 Chrome Triangular Bezel with U-Clamp

