



900 SERIES

- Extremely high quality pressure gauges, liquid filled for extended service life and shock resistance
- Ranges available from vacuum to 15,000 psi
- 1-1/2, 2, 2-1/2, 4 inch sizes – bottom or back connected
- Lightweight shatter-resistant ABS or 304 Stainless steel case, Plexiglass™ lens for extra strength
- Unique o-ring case and connection seals guard against leakage and protect against shock and vibration
- Relief disc on top or back provides positive case relief
- Brass and copper alloy movement
- High grade Glycerine fill dampens the effects of pulsation, vibration and shock loads, and provides lubrication of the movement
- Volume oriented
- Stock availability

OPERATING SPECIFICATIONS

1. Working Pressure Limitations

a. Dynamic Pressure

The working pressure should be limited to 60% of the dial range

b. Static Pressure

The working pressure, when no sharp fluctuations occur, should be limited to 90% of the dial range.

2. Ambient Temperature

-4°F to 140°F (-20°C to 60°C) Glycerine Fill
-40°F to 140°F (-40°C to 60°C) Special Fill

3. Media Temperature

-4°F to 140°F (-20°C to 60°C) Glycerine Fill
-40°F to 140°F (-40°C to 60°C) Special Fill

APPLICATIONS

- Industrial applications where pulsation, vibration and shock are present

ACCURACY

- 1-1/2 and 2 inch 900 Series Gauges: ±2.5%
- 2-1/2 inch 900 Series Gauges: ±1.5%
- 4 inch 900 Series Gauges: ±1.0%

	MODELS	SPECIFICATIONS
Case	15 910, 25 900, 25 910	ABS (Acryl Nitril Butadien Styrol)
	25 901, 25 911, 40 901, 40 911	304 Stainless steel
Bezel	25 901, 25 911, 40 901, 40 911	304 Stainless steel
Lens	15 910, 25 900, 25 910	Plexiglass™; ultrasonically welded to the case
	25 901, 25 911	Polycarbonate
	40 901, 40 911	Instrument glass
Bourdon Tube	15 910, 25 900, 25 910, 25 901, 25 911, 40 901, 40 911 (up to 600 psi)	Phosphor bronze "C" tube
	15 910, 25 900, 25 910, 25 901, 25 911, 40 901, 40 911 (greater than 600 psi)	Coiled safety tube
Connection	15 910	1/8" NPT brass
	25 900, 25 910, 25 901, 25 911,	1/4" NPT brass
	40 901, 40 911	1/4" NPT brass or 1/2" NPT brass
Movement	15 910, 25 900, 25 910, 25 901, 25 911, 40 901, 40 911	Brass and nylon with highly polished bearing surfaces
Safety Protection	15 910	Safety relief disc on the back of the case
	25 900, 25 910, 25 901, 25 911, 40 901, 40 911	Safety relief disc on the top of the case
Accuracy	15 910, 20 901, 20 911	± 2.5% Full Scale ASME grade B
	25 900, 25 910, 25 901, 25 911	± 1.5% Full Scale ASME grade A
	40 901, 40 911	± 1% Full Scale ASME grade 1A
Pointer	15 910, 25 900, 25 910, 25 901, 25 911	Molded plastic
	40 901, 40 911	Balanced aluminum, black finish
Dial	15 910, 25 900, 25 910	Molded plastic, white background with black psi scale and red kPa scale. UV resistant
	25 901, 25 911, 40 901, 40 911	Aluminum, white background, dual scale psi kPa. black psi scale and Red kPa scale. UV resistant
Fill Liquid	15 910, 25 900, 25 910, 25 901, 25 911, 40 901, 40 911	Glycerine and water

ORDERING INFORMATION								
SERIES	900							
SIZE	15	1 1/2 Inch	20	2 Inch	25	2 1/2 Inch	40	4 Inch
CASE TYPE	900	ABS Case, Liquid Filled, Bottom Connection			910	ABS Case, Liquid Filled, Back Connection		
	901	SS Case, Liquid Filled, Bottom Connection			911	SS Case, Liquid Filled, Back Connection		
PRESSURE RANGES	30 " Vac	30 inHg to 0	30/300	30 inHg to 0 to 300 psi	300	0 psi to 300 psi	3000	0 psi to 3000 psi
	30/15	30 inHg to 0 to 15 psi	15	0 psi to 15 psi	400	0 psi to 400 psi	5000	0 psi to 5000 psi
	30/30	30 inHg to 0 to 30 psi	30	0 psi to 30 psi	600	0 psi to 600 psi	6000	0 psi to 6000 psi
	30/60	30 inHg to 0 to 60 psi	60	0 psi to 60 psi	800	0 psi to 800 psi	7500	0 psi to 7500 psi
	30/100	30 inHg to 0 to 100 psi	100	0 psi to 100 psi	1000	0 psi to 1000 psi	10000	0 psi to 10000 psi
	30/160	30 inHg to 0 to 160 psi	160	0 psi to 160 psi	1500	0 psi to 1500 psi	15000	0 psi to 15000 psi
	30/200	30 inHg to 0 to 200 psi	200	0 psi to 200 psi	2000	0 psi to 2000 psi		
SCALE OPTION	psi	psi single scale	psi/kPa	psi/kPa dual scale	psi/kg/cm ²	psi/kg/cm ² dual scale	psi/bar	psi/bar dual scale
CONNECTION SIZE	1/8	1/8" NPT	1/4	1/4" NPT	1/2	1/2" NPT		
OPTIONS	CFR	Chrome flange ring	CCR	Chrome cover ring	CFF	Chrome front flange	ST	Stainless steel tagging
	SSFR	304SS flange ring	SSCR	304SS cover ring	SSFF	304SS front flange	BP3	Brass press fit orifice 0.3 mm
	PMC	Steel panel mount clamp	MIP	Maximum indicating pointer	SSRF	304SS rear flange	BT5	Brass threaded orifice 0.5 mm
	SPMC	304SS panel mount clamp	AP	Adjustable pointer	BCR	Black cover ring	BT8	Brass threaded orifice 0.8 mm
	SSB-U	Stainless steel bezel & u clamp	SGL	Safety glass lens	LM	Laser marking	7/16" -20	Straight thread available*
	SSB	Stainless steel bezel	BLFF	Black front flange				

Please consult your local NOSHOK Distributor or NOSHOK, Inc. for availability and delivery information.

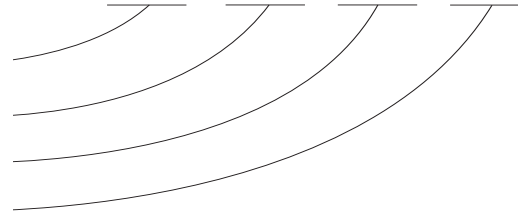
NOTE: Refer to 900 Series Options & Accessories chart on page 67 for availability by model number.

* Includes Viton® O Ring

EXAMPLE

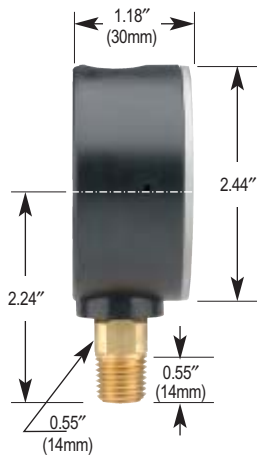
1. Select model number (size & case type)
2. Select pressure range & scale option
3. Select connection size (if more than one is offered)
4. Select any required accessory or option

25-910 - 1000 psi/kPa - 1/4 - PMC

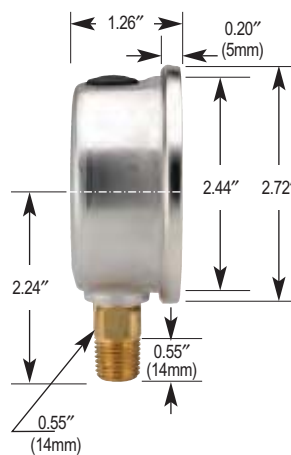


OUTLINE DIMENSIONS

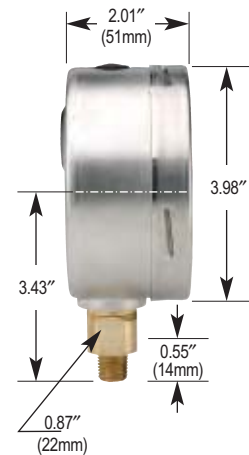
25-900



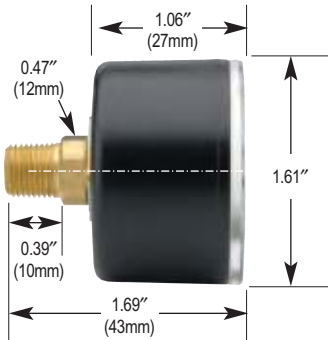
25-901



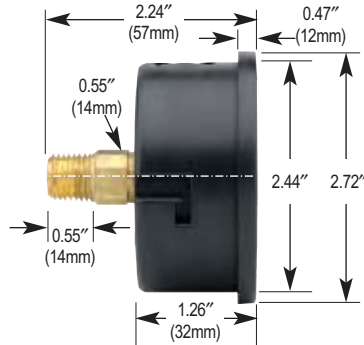
40-901



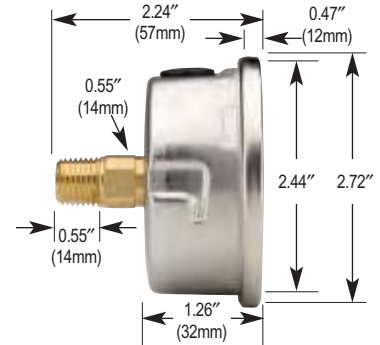
15-910



25-910



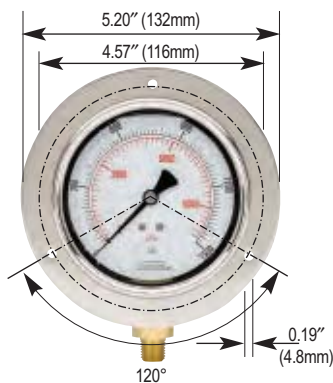
25-911



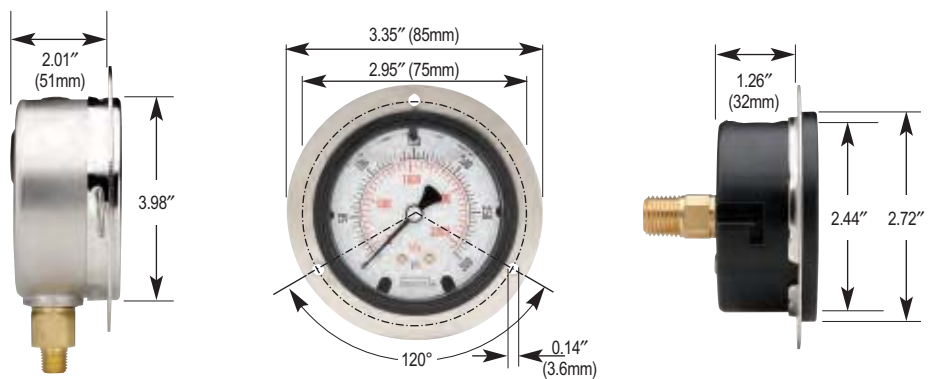
25-900 Front Flange



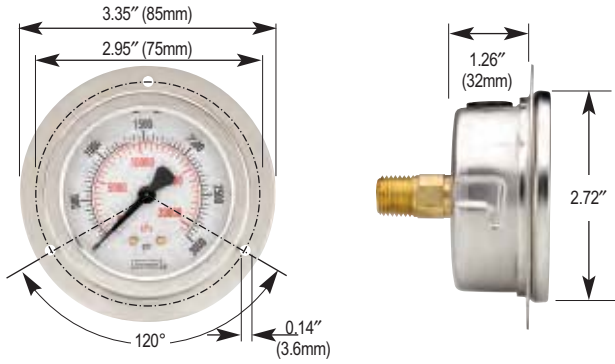
40-901 Front Flange



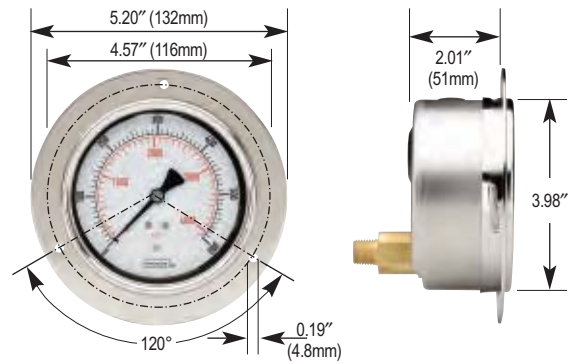
25-910 Front Flange



25-911 Front Flange



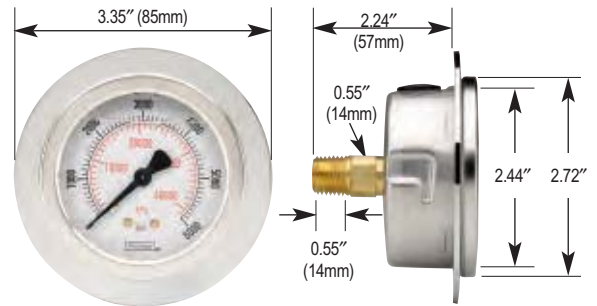
40-911 Front Flange



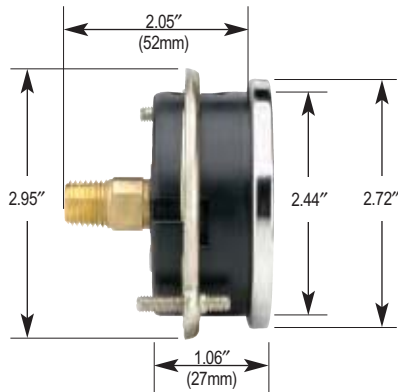
25-910 Flange Ring



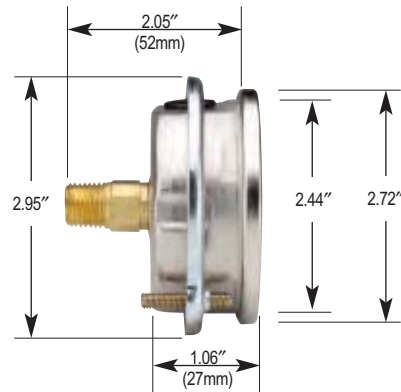
25-911 Flange Ring



25-910 Panel Mount Clamp



25-911 Panel Mount Clamp



40-911

