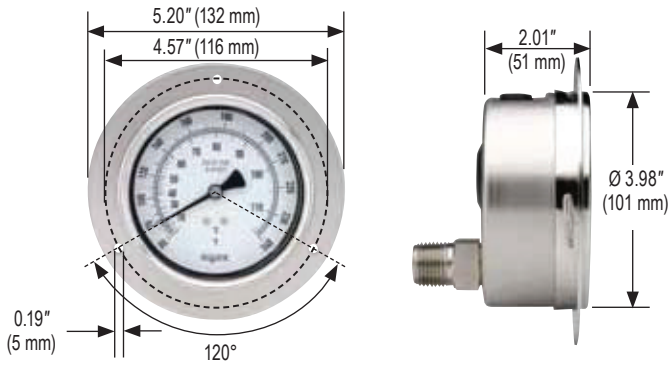
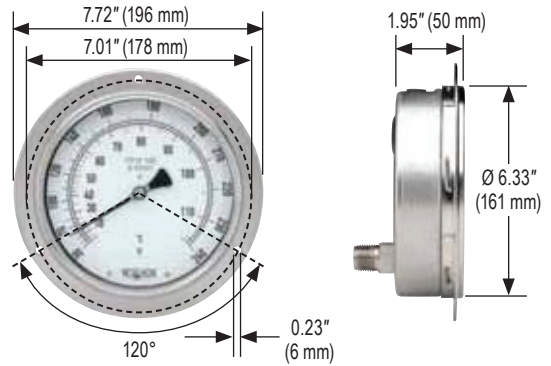


300/400/600/700/900 SERIES DIMENSIONS

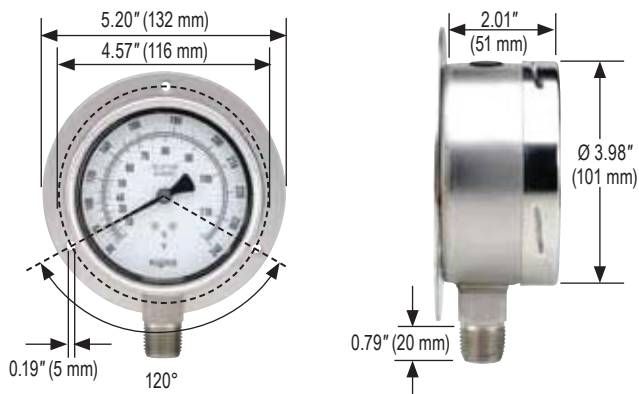
40-410 Front Flange



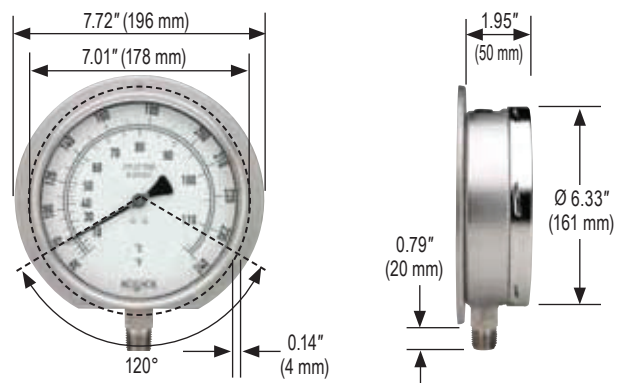
60-410 Front Flange



40-400 Rear Flange



60-400 Rear Flange

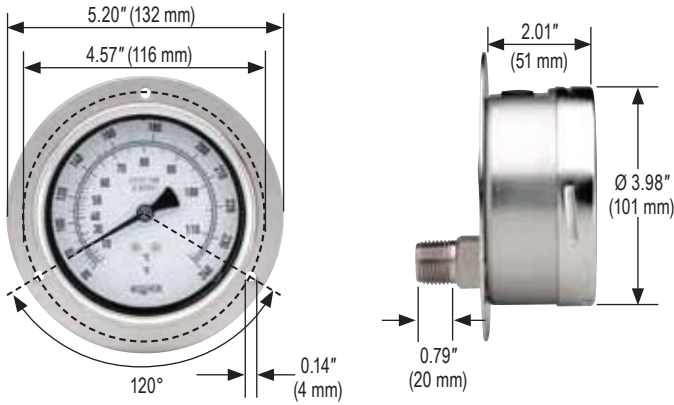


Offered by:

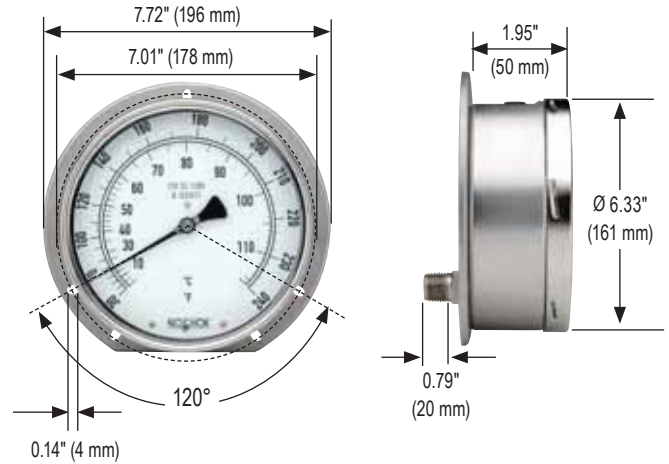


Specialists in Valves, Controls,
Pneumatics, Fluid Measurement

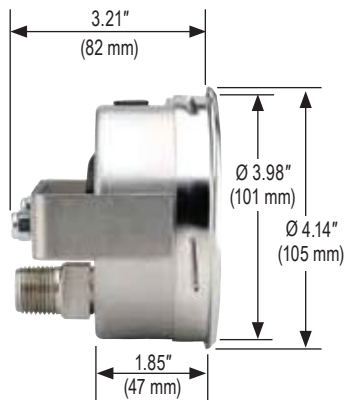
40-410 Rear Flange



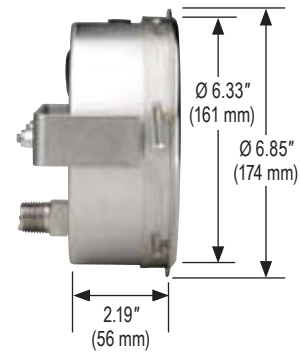
60-410 Rear Flange



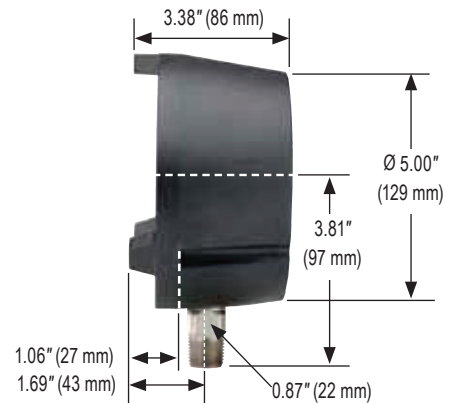
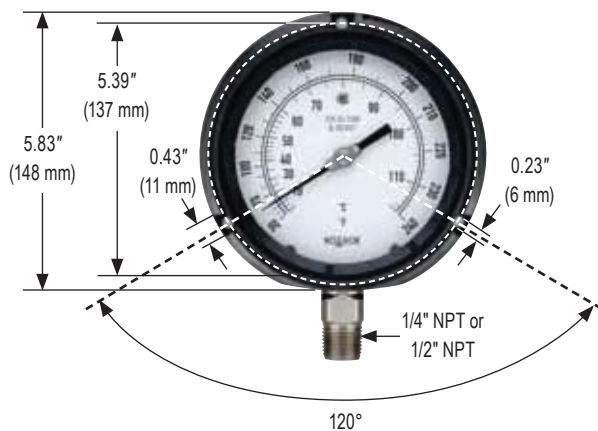
40-410/510 SS Bezel w/U-Clamp



60-410 SS Bezel w/U-Clamp

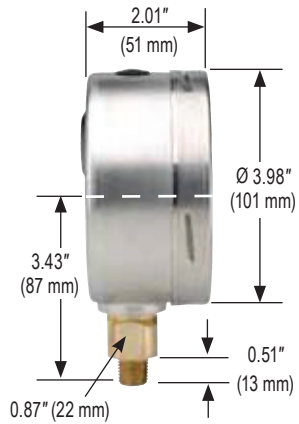


45-640 & 45-740

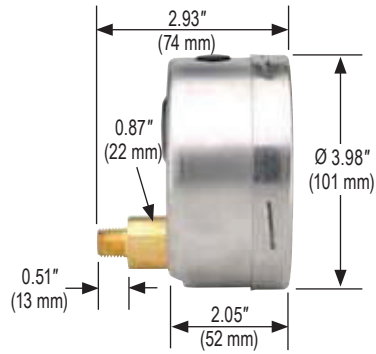


300/400/600/700/900 SERIES DIMENSIONS

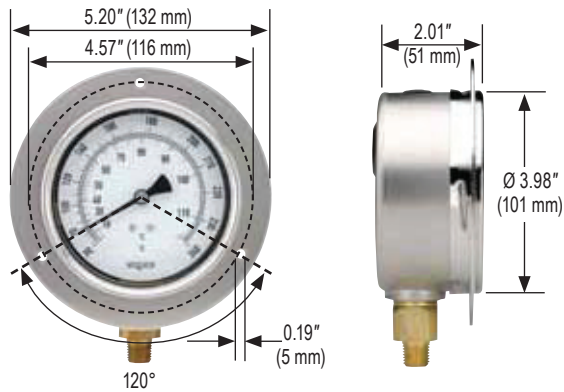
40-901



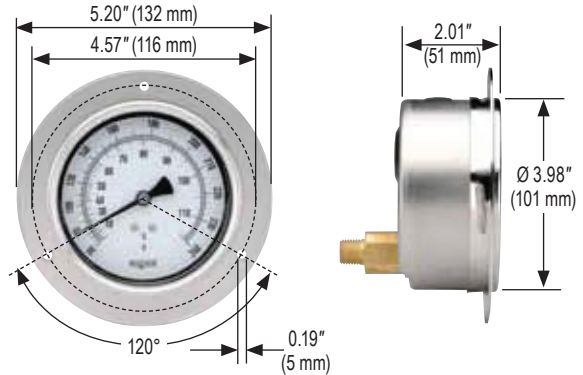
40-911



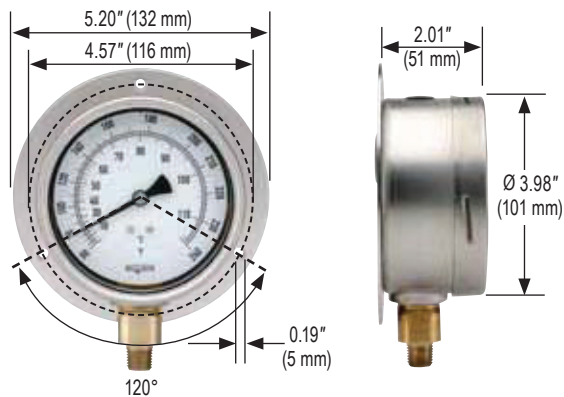
40-901 Front Flange



40-911 Front Flange



40-901 Rear Flange



40-911 Rear Flange

