

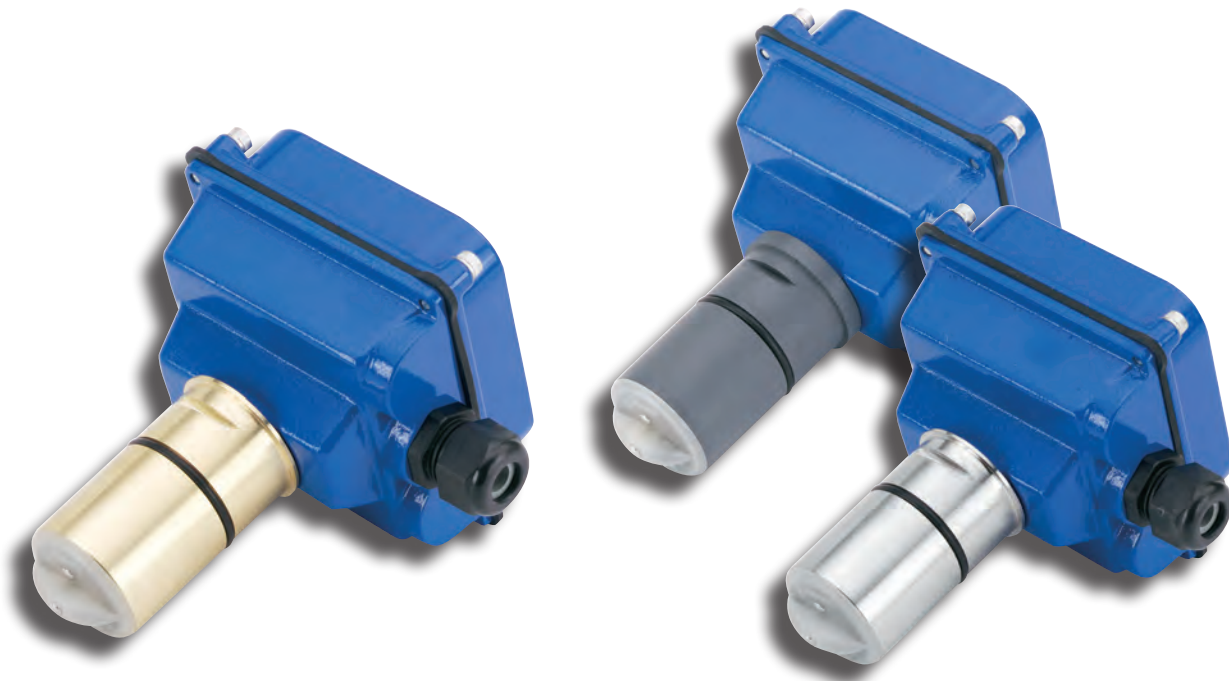


APPLICATIONS

- Conductive fluids
- Small pipe applications (1"-12")
- Industrial processes
- Chemical metering pumps
- Fertigation

FEATURES

- No moving parts
- Economical
- Durable
- Easy to install
- Easy to maintain



GENERAL INFORMATION

EX80-Series insertion electromagnetic flowmeters are designed for use with conductive liquids in 1 to 12" pipe. A choice of materials (stainless steel, brass, and PVC) allows the meter to adapt to a range of temperature, pressure, and corrosive environments.

The EX80 is highly suitable for difficult applications with changing viscosities and pulsating flows, such as air-driven diaphragm pumps. With no moving parts, these meters can be used in "dirty" applications where debris would foul a mechanical meter. Like all magmeters, when used in chemical injection applications, these meters should be installed upstream of the chemical line (or far enough downstream to allow complete mixing of fluids before the meter).

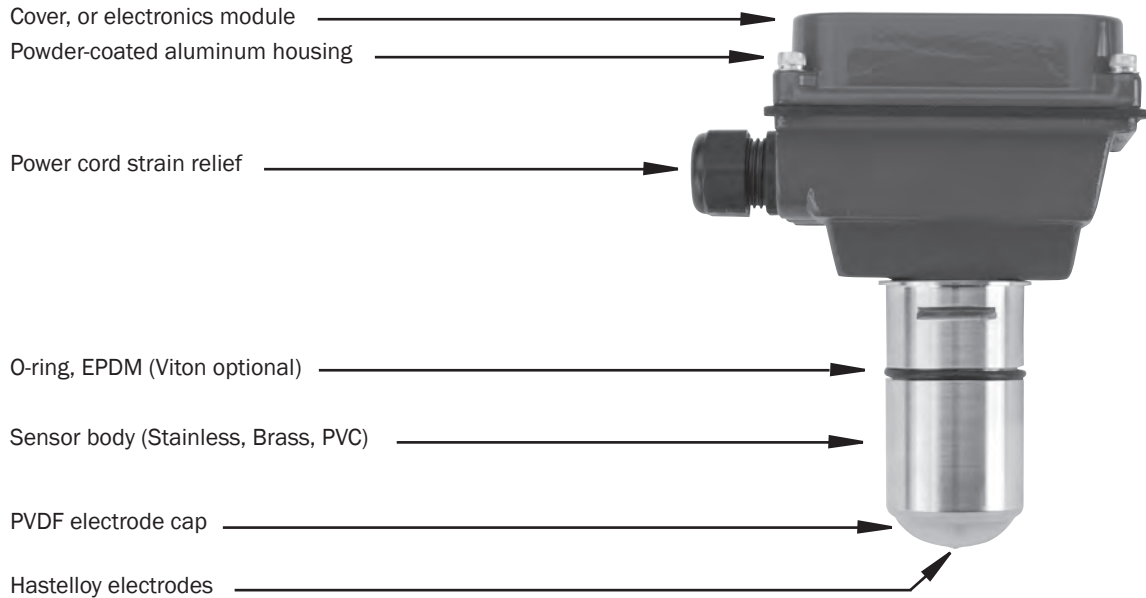
Designed for modularity and versatility, the EX80-Series has a current-sinking pulse output that can be combined with the appropriate transmitter or indicator for the application. For

analog output and display of rate and total, an FT420 can be used. Blind analog output is provided by the AO55. The PD10 can be used to divide the pulse for pacing chemical metering pumps and the DL76 (data logger) is also compatible. Modules can be wall- or meter- mounted. If the EX80 meter is used with a programmable controller, the output signal can be fed direct, with no other conditioning required.

EX80-Series fixed depth insertion meters require special fittings. Factory installation in the fitting ensures correct depth placement in the pipe. The EX80-Series meter can be ordered in a full power model when a source of electricity is available, or in a low power model that can run on an external battery with solar panel.

Reverse flow output and immersibility are optional.

FEATURES

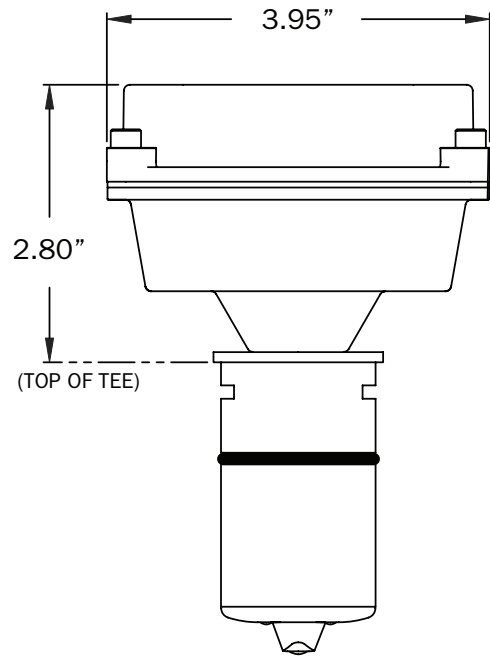
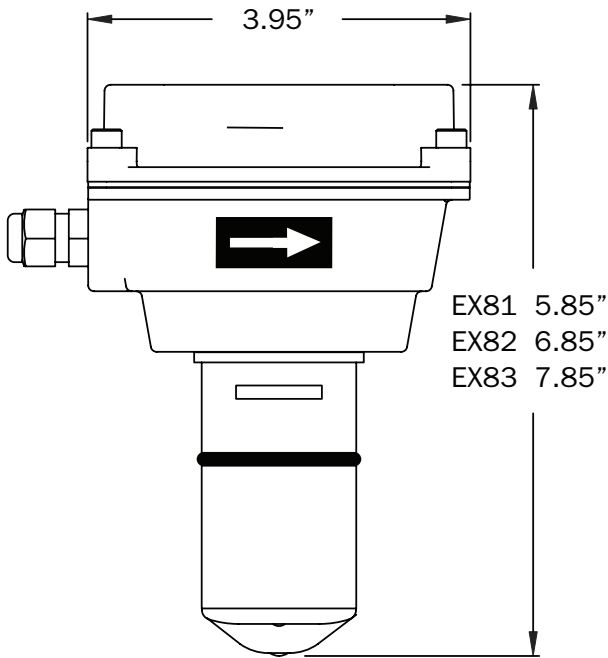


SPECIFICATIONS*

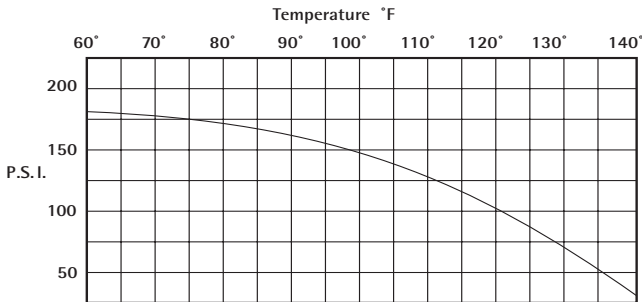
Pipe Size		1" to 12"
Materials	Mechanical	316 SS/Brass/PVC
	Electrodes	Hastelloy
	Housing	Cast powder-coated aluminum
	Electrode Cap	PVDF (Kynar)
	O-Ring	EPDM standard (Viton optional)
Power	Full Power	12 - 25 Vdc, 250 mA
	Low Power	12 - 25 Vdc, 40 mA average with 250 mA peaks
Flow Rate		0.28 - 20 ft/sec (0.08 - 6.09 m/sec)
Temperature	Ambient Temp	0° to 160° F (-17° to 72° C)
	Fluid Temp : Brass/SS	32° to 200° F (0° to 93° C)
	Fluid Temp: PVC	32° to 130° F (0° to 55° C) @ 0 psi
Pressure	Brass/SS	200 psi (13.8 bar)
	PVC	150 psi (10 bar) @ 75° F
Minimum Conductivity		20 microSiemens/cm
Calibration Accuracy		+/- 1% of full scale
Output		Square wave pulse, opto isolated, 550 Hz @ 20 ft/sec
Empty Pipe Detection		Software, defaults to zero flow

*Specifications subject to change • Please consult our website for current data (www.seametrics.com).

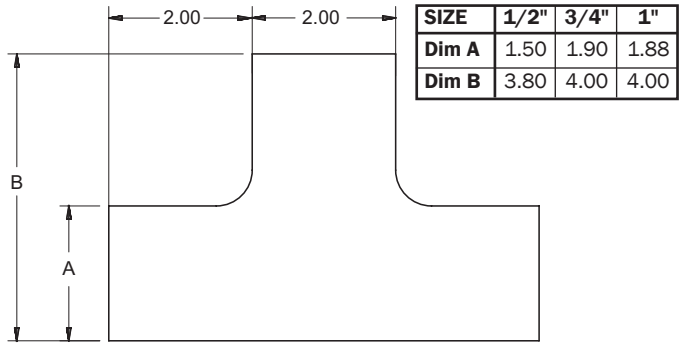
DIMENSIONS



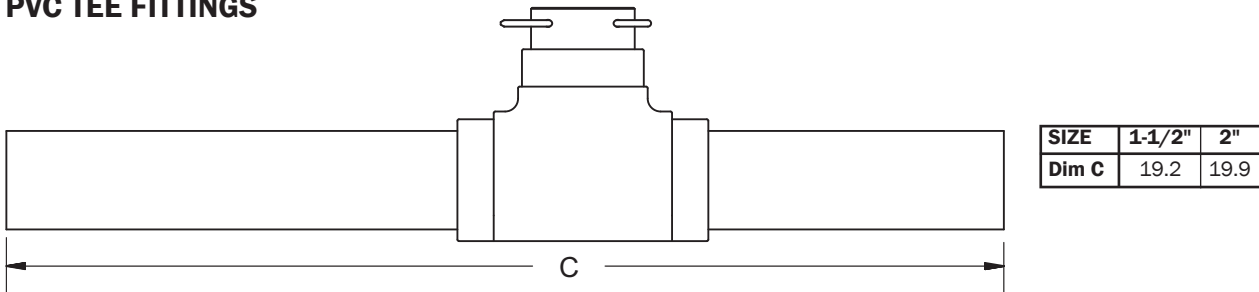
PRESSURE VS. TEMPERATURE (PVC)



PVC BLOCK TEE FITTING



PVC TEE FITTINGS



FLOW RANGE (in GPM)

Nominal Pipe Size	1"	1-1/2"	2"	3"	4"	6"	8"	10"	12"
Min	.69	1.5	2.7	6.2	11	25	43	68	99
Max	49	110	196	440	783	1760	3130	4900	7050

EX80-COMPATIBLE FITTINGS



	Tee	Saddle	Weld/Braze	Sweat Tee
Bronze	1-4"	3-4"	3-12"	1-4"
PVC	1-2"	3-8"	x	x
Stainless Steel	1-2"	x	3-12"	x
Carbon Steel	1-2"	x	3-12"	x
Ductile Iron	x	3-12"	x	x

HOW TO ORDER

MODEL	MATERIAL	OPTIONS	FITTINGS								
1" - 3" pipe = EX81 4" - 10" pipe = EX82 12" pipe = EX83	PVC = P Brass = B 316 Stainless = S	Reverse flow output = -15 *Immersible = -40 Low power = -50 Viton O-ring = -125	Select from chart above (Fitting Type and Material)								
*Consult factory for suitable applications											
<h3>ACCESSORIES</h3> <table border="0"> <tr> <td>Rate and Total Indicator = FT420</td> <td>Extra Cable (specify length) = 31010</td> </tr> <tr> <td>Blind 4-20 mA Converter = AO55</td> <td>Power Converter, Plug-In, 115 Vac, 24 Vdc = PC3</td> </tr> <tr> <td>Data Logger = DL76</td> <td>Dual Power Supply, 115 Vac, 12/24 Vdc = PC42</td> </tr> <tr> <td>Pulse Divider = PD10</td> <td>Solar Panel Kit, 5 Watt = RSP5</td> </tr> </table>				Rate and Total Indicator = FT420	Extra Cable (specify length) = 31010	Blind 4-20 mA Converter = AO55	Power Converter, Plug-In, 115 Vac, 24 Vdc = PC3	Data Logger = DL76	Dual Power Supply, 115 Vac, 12/24 Vdc = PC42	Pulse Divider = PD10	Solar Panel Kit, 5 Watt = RSP5
Rate and Total Indicator = FT420	Extra Cable (specify length) = 31010										
Blind 4-20 mA Converter = AO55	Power Converter, Plug-In, 115 Vac, 24 Vdc = PC3										
Data Logger = DL76	Dual Power Supply, 115 Vac, 12/24 Vdc = PC42										
Pulse Divider = PD10	Solar Panel Kit, 5 Watt = RSP5										

CONTACT YOUR SUPPLIER

Offered by:



Specialists in Valves, Controls, Pneumatics, Fluid Measurement