



FEATURES

- Batch control
- Regeneration control
- High/low flow rate monitoring
- Water usage monitoring

APPLICATIONS

- Cosmetics manufacturing
- Water treatment system maintenance
- Water leakage detection
- Precision refill of cooling towers & tanks



GENERAL INFORMATION

The FT500-Series is a batching flow processor with additional output controls. It is designed for use with Seametrics flow meters and flow sensors, as well as other manufacturer's products which have frequency output proportional to flow. In addition to batch functions, the FT500-Series indicates flow rate, and other data in large 3/8" (9.66 mm) digits on an easily-read, backlit display. Units of measure are user selectable, and range from milliliters per second to millions of gallons per day. The unit can be 110 Vac powered with a standard 3-wire cord (included), 220 Vac powered (optional), or DC powered through an internal terminal strip (battery not included).

An analog output of 4-20 mA is available both in active and

passive loop configuration, and in 0-5 Vdc or 0-10 Vdc outputs, and can be used in applications such as flow rate logging. Two programmable pulse scaled outputs are also standard, and can be used, for example, to provide proportional chemical feed with a pulse-responsive metering pump.

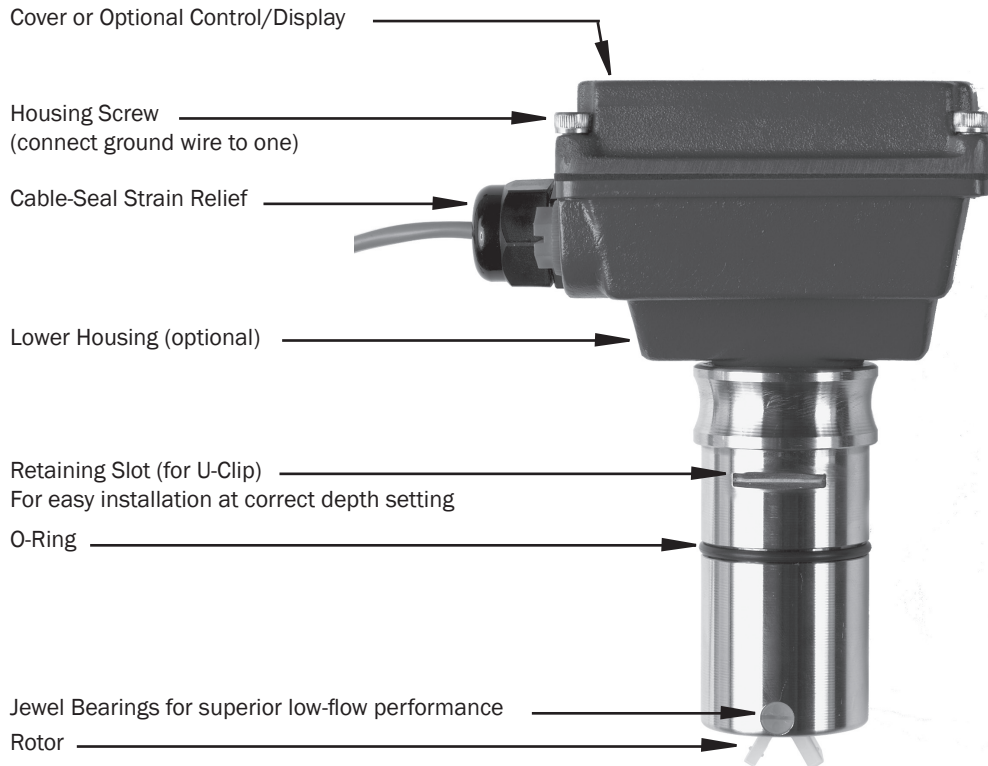
The housing is supplied with two brackets for wall-mount applications, or the top/bottom housings can be easily separated and reassembled for panel-mount.

Offered by:



*Specialists in Valves, Controls,
Pneumatics, Fluid Measurement*

FEATURES



High Pressure



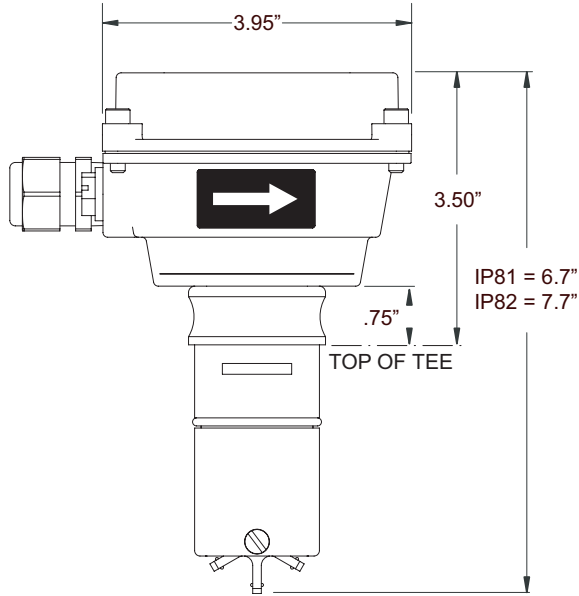
SPECIFICATIONS*

Materials	Sensor Body	Brass, 316 Stainless Steel, PVC, or Polypro		
	Rotor	PVDF		
	Shaft	Nickel-bonded tungsten carbide (Ceramic optional)		
	Bearings	Ruby jewel		
	O-Ring	EPDM (Viton optional)		
	Rotor Pickup	GMR (Giant Magnetoresistive) Sensor		
	Maximum	Brass	316 SS	PVC or Polypro (See Pressure vs. Temp. Chart)
	Pressure	200 PSI (14 bar)	200 PSI (14 bar)	175 PSI (12 bar) @ 75° F
	High Pressure	Not Available	400 psi (28 bar)	Not Available
	Temperature	200° F (93° C)	200° F (93° C)	130° F (55° C)
	Flow Range	0.3 - 30 ft./sec.		
	Accuracy	+/- 1.5% of full scale		
	Signal	Hall effect current sinking pulse		
	Power	6-24 Vdc, 2 mA		
	Maximum Current	20 mA		
	Cable	#22 AWG, 3 Cond, 18 foot (maximum 2000' run)		

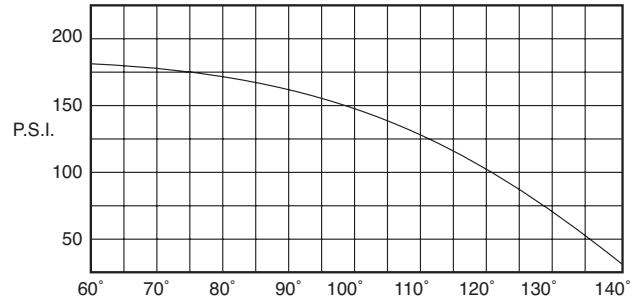
*Specifications subject to change • Please consult our website for current data (www.seametrics.com).

DIMENSIONS

NOTE: Housing Optional



PRESSURE VS. TEMPERATURE (PVC/Polypro)



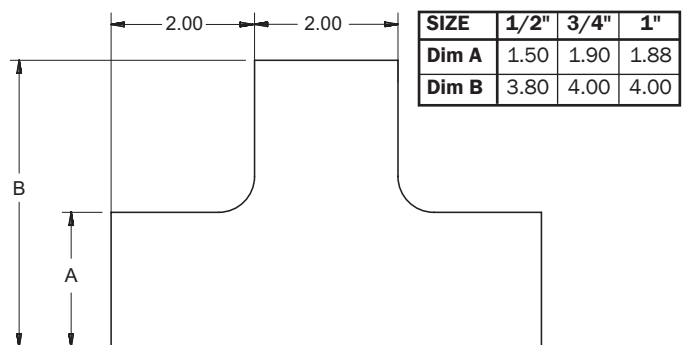
FLOW RANGE (In Gallons Per Minute)

	1/2"	3/4"	1"	1-1/2"	2"	3"	4"	6"	8"
Min	0.28	0.5	0.8	1.9	3.1	6.9	12	27	46.8
Max	28	50	80	190	314	691	1190	2700	4680

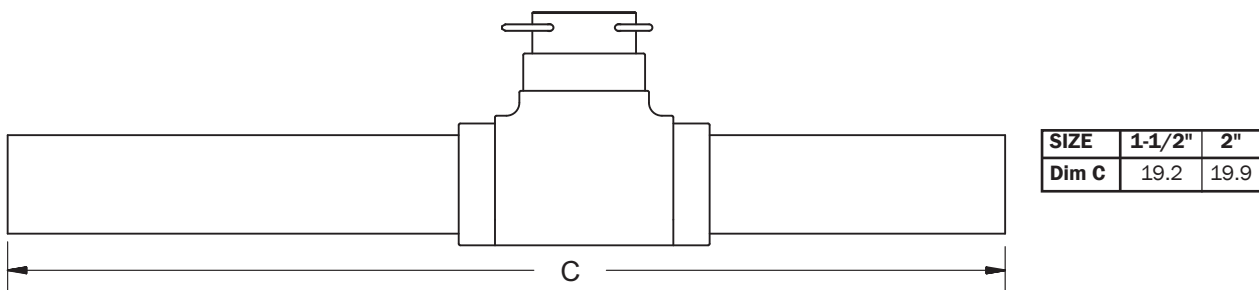
AVAILABLE FITTINGS

	Tee	Saddle	Weld	Braze	Sweat Tee
Bronze	1/2-4"	3-4"	x	3-8"	1/2-4"
PVC	1/2-2"	3-8"	x	x	x
Stainless Steel	1/2-2" 304SS	x	3-8" 316SS	x	x
Carbon Steel	1/2-2"	x	3-8"	x	x
Ductile Iron	x	3-8"	x	x	x

PVC BLOCK TEE FITTING



PVC TEE FITTINGS



HOW TO ORDER

MODEL	MATERIAL	OPTIONS	FITTINGS
1/2" - 3" = IP81 4" - 8" = IP82	Brass = B 316 Stainless Steel = S PVC = P Polypro = Y	Ceramic Shaft = -01 Micropower Pickup = -04 (Use with FT415 or DL76) LMI Pump Connector = -06 Seametrics Control Connector = -07 *Immersibility = -40 Viton® O-Ring = -60 **High Pressure (Stainless Only) = -HP	Select from chart above (Fitting Type and Material)

*Consult factory for suitable applications
**Requires appropriate fitting.

ACCESSORIES

Rate and Total Indicator with pulse & 4-20 mA outputs = FT420	Pulse divider = PD10
Rate and Total Indicator, battery powered = FT415	Data logger = DL76
Analog transmitter, blind 4-20 mA converter = AO55	Mounting kit, converts wall to meter mount = MK10
Power converter, plug-in, 110-115 Vac, 24 Vdc = PC3	Mounting kit, converts meter to wall mount = MK20

CONTACT YOUR SUPPLIER

Offered by:



Specialists in Valves, Controls, Pneumatics, Fluid Measurement