



APPLICATIONS

- Industrial water/wastewater treatment
- Cooling water monitoring
- Industrial fluid control
- Chemical proportioning

FEATURES

- Low-friction, long-life jewel bearings
- One moving part
- Fully field-repairable
- Choice of materials for compatibility with variety of chemicals
- Fits 1/2" to 8" pipe
- Fixed depth in fitting ensures proper placement in pipe



GENERAL INFORMATION

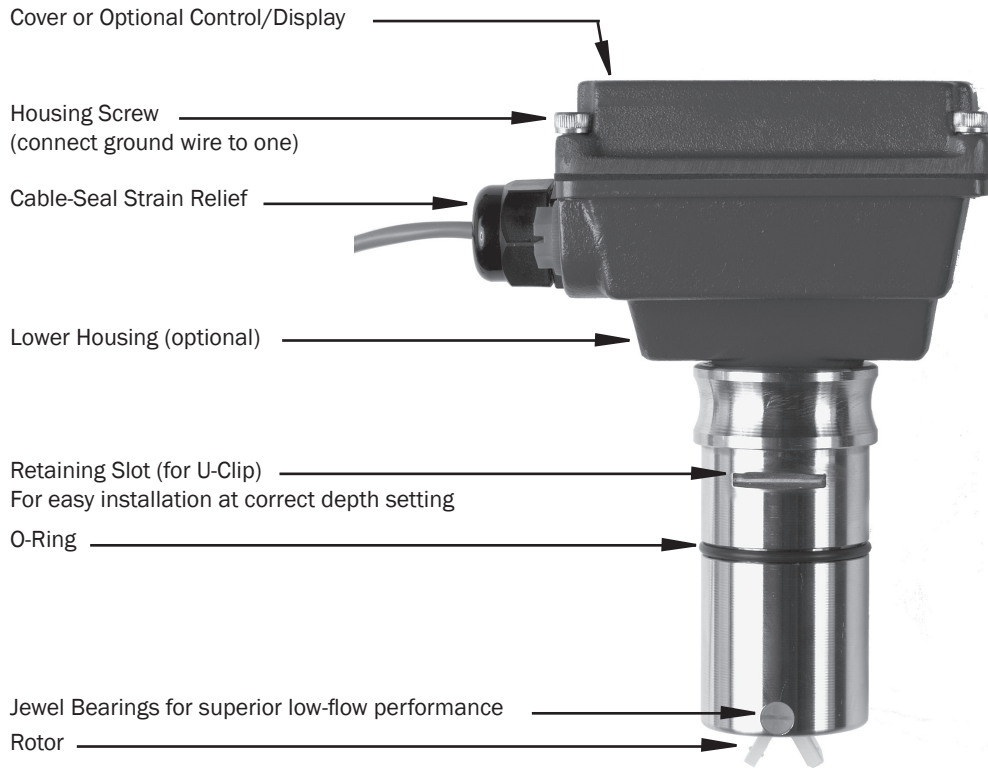
The **IP80-Series** are impeller (or "paddlewheel") insertion meters designed for use with a wide variety of liquids in pipe sizes 1/2" to 8". Sensors are available in brass, 316 stainless steel, PVC, and polypropylene. Bodies are machined from a solid rod for maximum precision. High-quality jewel bearings and nickel-bound tungsten carbide shafts are used for extreme low friction and long life. Low-flow performance is good, although other Seametrics flow meters are recommended where extremely low flows are being measured.

The rotation of the rotor is detected by a non-drag Hall-effect sensor. Output is a current-sinking pulse, which can be sent long distances (up to 2,000 feet) without a transmitter. This signal can be connected directly to PLC's, counters, and computer cards, as well as a variety of Seametrics controls and displays.

Seametrics IP meters are ideal for chemical proportioning applications. If no display is required, a simple divider such as the PD10 provides adjustable pump pacing. For rate and total display, the FT415 (battery powered) or FT420 (loop powered) flow indicator can be mounted directly on the IP80-Series meter, or remotely on a wall or panel. The A055 blind analog transmitter can be used to convert to a 4-20 mA output. IP meters are also compatible with the DL76 data logger and FT520 batch processor.

The IP80-Series require special fittings that ensure correct depth placement in the pipe. Fittings come in a variety of materials for compatibility with specific applications. Tee fittings are individually wet-calibrated at the factory and marked with the K-factor (pulses per gallon). Saddle fittings must be field-installed on the pipe and do not come wet-calibrated. K-factors for saddles are based on factory-testing.

FEATURES



High Pressure



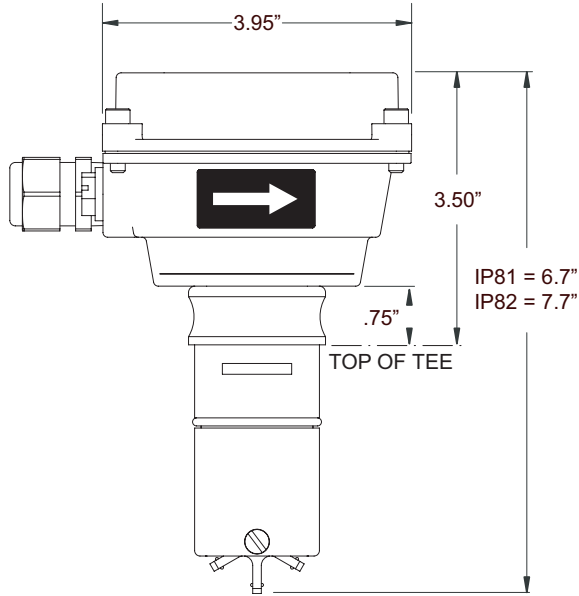
SPECIFICATIONS*

Materials	Sensor Body	Brass, 316 Stainless Steel, PVC, or Polypro		
	Rotor	PVDF		
	Shaft	Nickel-bonded tungsten carbide (Ceramic optional)		
	Bearings	Ruby jewel		
	O-Ring	EPDM (Viton optional)		
	Rotor Pickup	GMR (Giant Magnetoresistive) Sensor		
	Maximum	Brass	316 SS	PVC or Polypro (See Pressure vs. Temp. Chart)
	Pressure	200 PSI (14 bar)	200 PSI (14 bar)	175 PSI (12 bar) @ 75° F
	High Pressure	Not Available	400 psi (28 bar)	Not Available
	Temperature	200° F (93° C)	200° F (93° C)	130° F (55° C)
	Flow Range	0.3 - 30 ft./sec.		
	Accuracy	+/- 1.5% of full scale		
	Signal	Hall effect current sinking pulse		
	Power	6-24 Vdc, 2 mA		
	Maximum Current	20 mA		
	Cable	#22 AWG, 3 Cond, 18 foot (maximum 2000' run)		

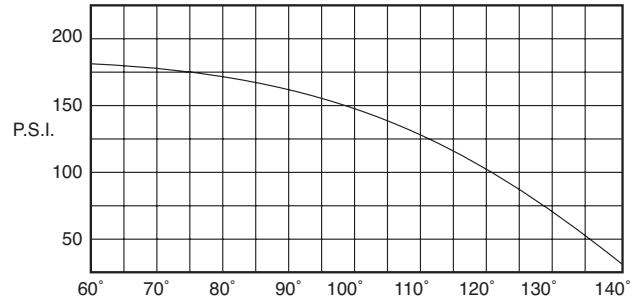
*Specifications subject to change • Please consult our website for current data (www.seametrics.com).

DIMENSIONS

NOTE: Housing Optional



PRESSURE VS. TEMPERATURE (PVC/Polypro)



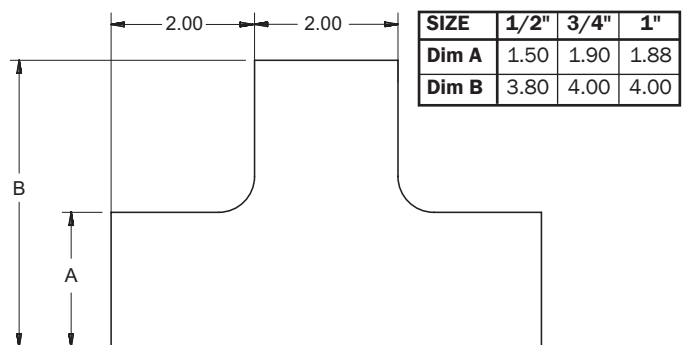
FLOW RANGE (In Gallons Per Minute)

	1/2"	3/4"	1"	1-1/2"	2"	3"	4"	6"	8"
Min	0.28	0.5	0.8	1.9	3.1	6.9	12	27	46.8
Max	28	50	80	190	314	691	1190	2700	4680

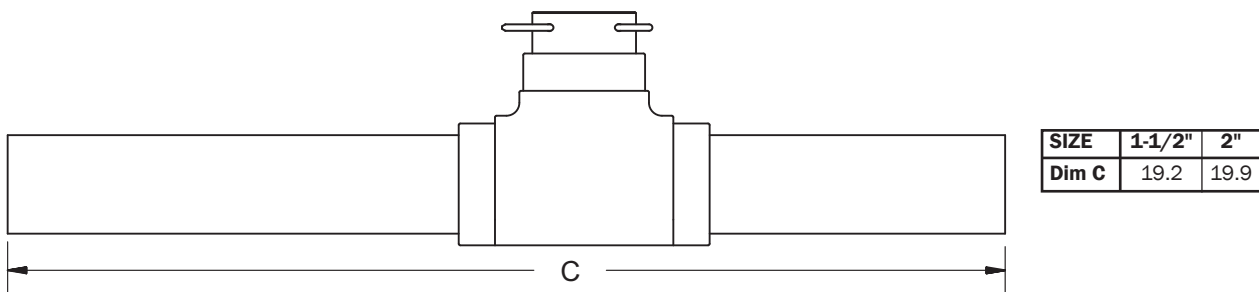
AVAILABLE FITTINGS

	Tee	Saddle	Weld	Braze	Sweat Tee
Bronze	1/2-4"	3-4"	x	3-8"	1/2-4"
PVC	1/2-2"	3-8"	x	x	x
Stainless Steel	1/2-2" 304SS	x	3-8" 316SS	x	x
Carbon Steel	1/2-2"	x	3-8"	x	x
Ductile Iron	x	3-8"	x	x	x

PVC BLOCK TEE FITTING



PVC TEE FITTINGS



HOW TO ORDER

MODEL	MATERIAL	OPTIONS	FITTINGS
1/2" - 3" = IP81 4" - 8" = IP82	Brass = B 316 Stainless Steel = S PVC = P Polypro = Y	Ceramic Shaft = -01 Micropower Pickup = -04 (Use with FT415 or DL76) LMI Pump Connector = -06 Seametrics Control Connector = -07 *Immersibility = -40 Viton® O-Ring = -60 **High Pressure (Stainless Only) = -HP	Select from chart above (Fitting Type and Material)

*Consult factory for suitable applications
**Requires appropriate fitting.

ACCESSORIES

Rate and Total Indicator with pulse & 4-20 mA outputs = FT420	Pulse divider = PD10
Rate and Total Indicator, battery powered = FT415	Data logger = DL76
Analog transmitter, blind 4-20 mA converter = AO55	Mounting kit, converts wall to meter mount = MK10
Power converter, plug-in, 110-115 Vac, 24 Vdc = PC3	Mounting kit, converts meter to wall mount = MK20

CONTACT YOUR SUPPLIER

Offered by:



Specialists in Valves, Controls, Pneumatics, Fluid Measurement