



Remote or Integral Pilot Quick mount or NPT Connection

Power Pulse Valves

Aluminum Bodies
3/4" through 1 1/2"

**2/2
SERIES
8353
Dust
Collector**

Features

- The high quality polyacetal (POM) piston cartridge provides a long operating life and a large temperature range
- Quick mount connection eliminates thread cutting and sealing
- Integral operators have molded epoxy coils, with available options
- Valves may be mounted in any position

Construction

Body	Aluminum
Piston/Cartridge	POM (Polyacetal)
Clamps/Bolts	Plated Steel
Integral Solenoid	
Core Tube/Core & Plugnut/Core Spring	Stainless Steel
Seals and Disc	NBR
Shading Coil	Copper



Electrical

Standard Coil and Class of Insulation	Watt Rating and Power Consumption				Spare Coil Part No.			
	DC Watts	AC			General Purpose		Explosionproof	
		Watts	VA Holding	VA Inrush	AC	DC	AC	DC
F	10.6	6.1	16	30	238210	238310	238214	238314

Standard Voltages: 24, 120, 240, 480 volts AC, 60 Hz (or 110, 220 volts AC, 50 Hz).
6, 12, 24, 120, 240 volts DC. Must be specified when ordering.
Other voltages available when required.

Solenoid Enclosures

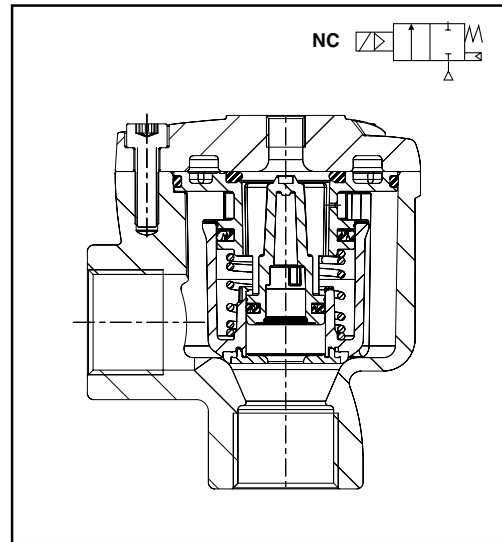
Standard: RedHat II Types 1, 2, 3, 4, and 4X combination. General Purpose and Watertight.

Optional: RedHat II Types 3, 3S, 4, 4X, 6, 6P, 7, and 9. Explosionproof and Watertight. (To order, add prefix "EF" to catalog number.) Other electrical and construction options are also available.

Consult your local ASCO office for details on accessories.

Rebuild Kits

Remote Pilot		Integral Pilot		
Catalog Number	Rebuild Kit	Catalog Number	Rebuild Kit	
			AC	DC
S353A713	C117-279	S353G711	C133-453	C133-454
S353A723	C117-280	S353G721	C133-455	C133-456
8353A813	C117-271	8353G811	C133-451	C133-452
8353A823	C117-271	8353G821	C133-451	C133-452
S353A733	C117-289	S353G731	C133-465	C133-466
8353A833	C117-283	8353G831	C133-463	C133-464



SPECIAL SERVICE VALVES

Nominal Ambient Temp. Ranges

Remote: -4°F to 185°F (-20°C to 85°C)

Integral: AC -4°F to 125°F (-20°C to 50°C)

DC -4°F to 104°F (-20°C to 40°C)

Refer to Engineering Section for details.

**2/2
SERIES
8353
Dust
Collector**



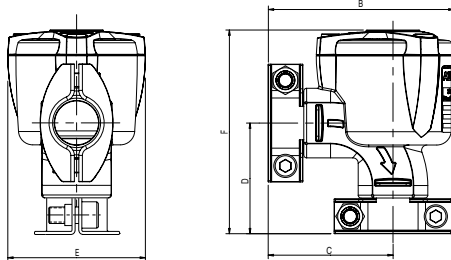
Specifications (English, Metric units)

Pipe Size (in)	Orifice Size in (mm)	Remote Pilot Connection in	Cv Flow Factor	Kv Flow Factor (m3/h)	Operating Pressure Differential psi (bar)		Quick Mount Catalog Number	Const. Ref.	NPT Connections Catalog Number	Const. Ref.	Watt Rating/ Class of Coil Insulation	
					Air						AC	DC
					Min.	Max.						
REMOTE PILOT CONSTRUCTIONS												
3/4	1.1 (28)	1/8	16	14	5 (0.3)	125 (8.6)	S353A713	1	8353A813	2	-	-
1	1.1 (28)	1/8	27	23	5 (0.3)	125 (8.6)	S353A723	1	8353A823	2	-	-
1 1/2	1.7 (43)	1/8	53	46	5 (0.3)	125 (8.6)	S353A733	1	8353A833	2	-	-
INTEGRAL PILOT CONSTRUCTIONS												
3/4	1.1 (28)	-	16	14	5 (0.3)	125 (8.6)	S353G711	3	8353G811	4	6.1/F	18.6/F
1	1.1 (28)	-	27	23	5 (0.3)	125 (8.6)	S353G721	3	8353G821	4	6.1/F	18.6/F
1 1/2	1.7 (43)	-	53	46	5 (0.3)	125 (8.6)	S353G731	3	8353G831	4	6.1/F	18.6/F

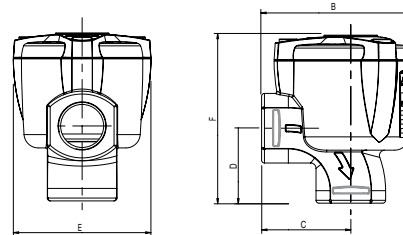
Dimensions inches (mm)

Remote Pilot Constructions

Const. Ref. 1 (Quick Mount)



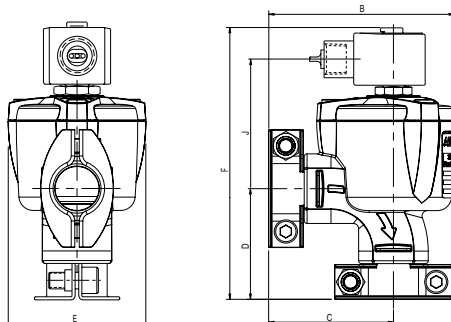
Const. Ref. 2 (NPT)



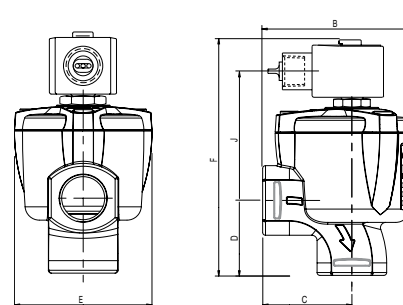
Pipe Connections	B	C	D	E	F
3/4" Quick Mount	4.1 (105)	2.8 (71)	2.4 (62)	3.0 (77)	4.5 (114)
1" Quick Mount	4.5 (117)	3.3 (85)	2.8 (71)	3.0 (77)	4.8 (121)
1 1/2" Quick Mount	5.7 (146)	3.8 (97)	3.4 (86)	4.4 (112)	6.0 (153)
3/4" NPT	3.3 (85)	2.0 (51)	1.7 (42)	3.0 (77)	3.7 (94)
1" NPT	3.8 (96)	2.4 (62)	2.0 (51)	3.0 (77)	4.0 (100)
1 1/2" NPT	4.8 (121)	2.8 (71)	2.4 (60)	4.4 (112)	5.0 (127)

Integral Pilot Constructions

Const. Ref. 3 (Quick Mount)



Const. Ref. 4 (NPT)



Pipe Connections	B	C	D	E	F	J
3/4" Quick Mount	4.1 (105)	2.8 (71)	2.4 (62)	3.0 (77)	6.5 (166)	3.2 (81)
1" Quick Mount	4.5 (114)	3.3 (85)	2.8 (71)	3.0 (77)	6.8 (173)	3.1 (79)
1 1/2" Quick Mount	5.7 (146)	3.8 (97)	3.4 (86)	4.4 (112)	8.1 (206)	3.8 (97)
3/4" NPT	3.3 (85)	2.0 (51)	1.7 (42)	3.0 (77)	5.7 (146)	3.1 (79)
1" NPT	3.8 (96)	2.4 (62)	2.0 (51)	3.0 (77)	6.0 (152)	3.1 (79)
1 1/2" NPT	4.8 (121)	2.8 (71)	2.4 (60)	4.4 (112)	7.1 (181)	3.8 (97)

SPECIAL SERVICE VALVES



Remote or Integral Pilot Quick mount or NTP Connection

Power Pulse Valves

Aluminum Bodies
3/4" and 1"

**2/2
SERIES
8353
Dust
Collector**

Features

- Unique flow pattern and special springless piston/diaphragms provide superior dust collector performance
- Long life and broad temperature range
- Quick mount connection eliminates thread cutting and sealing
- Stainless steel clip-ring mounting eliminates bolts that can corrode and seize
- Integral operators have molded epoxy coils, with available options
- Valves may be mounted in any position

Construction

Body	Aluminum
Clip Ring/Clamps/Bolts	Stainless Steel
Diaphragms	HYT
Integral Solenoid	
Core Tube/Core & Plugnut/Core Spring	Stainless Steel
Seals and Disc	NBR
Shading Coil	Copper

Electrical

Standard Coil and Class of Insulation	Watt Rating and Power Consumption			Spare Coil Part Number	
	AC			General Purpose	Explosionproof
	Watts	VA Holding	VA Inrush	AC	AC
F	6.1	16	30	238210	238214

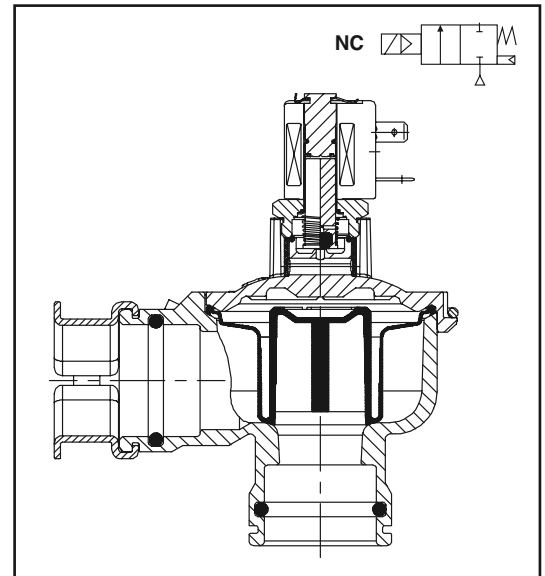
Standard Voltages: 24, 120, 240, 480 volts AC, 60 Hz (or 110, 220 volts AC, 50 Hz). Consult factory for DC voltage. Other voltages are available when required.

Solenoid Enclosures

Standard: RedHat II Types 1, 2, 3, 4, and 4X combination. General Purpose and Watertight.

Optional: RedHat II Types 3, 3S, 4, 4X, 6, 6P, 7, and 9. Explosionproof and Watertight. (To order, add prefix "EF" to catalog number.) Other electrical and construction options are also available.

Consult your local ASCO office for details on accessories.



SPECIAL SERVICE VALVES

Nominal Ambient Temp. Ranges

Remote: -4°F to 185°F (-20°C to 85°C)

Integral: -4°F to 125°F (-40°C to 50°C)

Refer to Engineering Section for details.

**2/2
SERIES
8353
Dust
Collector**



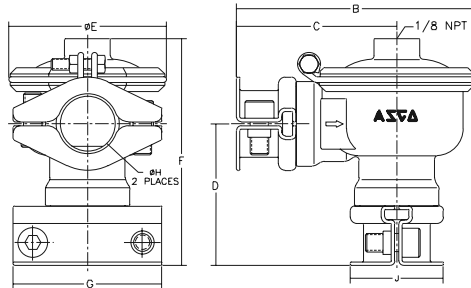
Specifications (English, Metric units)

Pipe Size (ins.)	Orifice Size ins. (mm)	Remote Pilot Connection ins. (mm)	Cv Flow Factor	Kv Flow Factor (m3/h)	Operating Pressure Differential psi (bar)		Quick Mount Catalog Number	Const. Ref.	NPT Connections Catalog Number	Const. Ref.	Watt Rating/ Class of Coil Insulation
					Air						
					Min.	Max.					
REMOTE PILOT CONSTRUCTIONS											
3/4	3/4 (19.1)	1/8 (3.2)	16	13.71	5 (0.3)	125 (8.6)	8353A120	1	8353A220	2	-
1	1 (25.4)	1/8 (3.2)	27	23.14	5 (0.3)	125 (8.6)	8353A121	1	8353A221	2	-
INTEGRAL PILOT CONSTRUCTIONS											
3/4	3/4 (19.1)	-	16	13.71	5 (0.3)	125 (8.6)	8353G126	3	8353G226	4	6.1/F
1	1 (25.4)	-	27	23.14	5 (0.3)	125 (8.6)	8353G127	3	8353G227	4	6.1/F

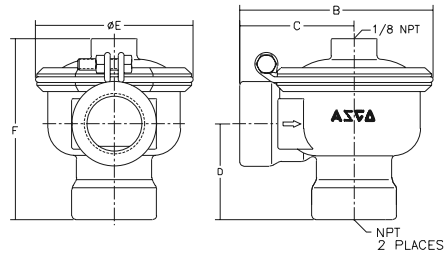
Dimensions inches (mm)

Remote Pilot Constructions

Const. Ref. 1 (Quick Mount)



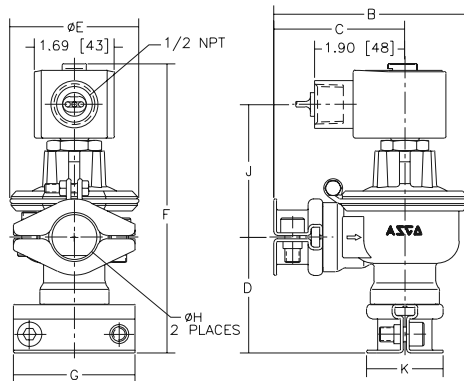
Const. Ref. 2 (NPT)



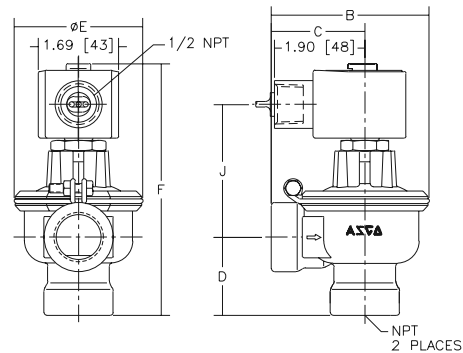
Pipe Connections	A	B	C	D	E	F	G	H	J
3/4" Quick Mount	-	4.12 (105)	2.76 (70)	2.44 (62)	2.72 (69)	3.91(99)	2.56 (65)	1.09 (27.6)	1.65 (42)
1" Quick Mount	-	4.92 (125)	3.23 (82)	2.80 (71)	3.35 (85)	4.36 (110.7)	2.84 (72)	1.35 (34.4)	1.89 (48)
3/4" NPT	3/4"	3.33 (85)	1.97 (85)	1.65 (42)	2.72 (69)	3.12 (79)	-	-	-
1" NPT	1"	4.13(105)	2.44 (62)	2.01 (51)	3.35 (85)	3.57 (90.7)	-	-	-

Integral Pilot Constructions

Const. Ref. 3 (Quick Mount)



Const. Ref. 4 (NPT)



Pipe Connections	A	B	C	D	E	F	G	H	J	K
3/4" Quick Mount	-	4.12 (105)	2.76 (70)	2.44 (62)	2.72 (69)	6.10 (155)	2.56 (65)	1.09 (27.6)	2.80 (71)	1.65 (42)
1" Quick Mount	-	4.92 (125)	3.23 (82)	2.80 (71)	3.35 (85)	6.63 (168)	2.84 (72)	1.35 (34.4)	2.97 (75)	1.89 (48)
3/4" NPT	3/4"	3.33 (85)	1.97 (85)	1.65 (42)	2.72 (69)	5.31 (135)	-	-	2.80 (71)	-
1" NPT	1"	4.13(105)	2.44 (62)	2.01 (51)	3.35 (85)	5.84 (148)	-	-	2.97 (75)	-

SPECIAL SERVICE VALVES



High Flow Main Pulse Valves

Aluminum Bodies
Air and Inert Gas • 3/4" to 3" NPT

**2/2
SERIES
Dust
Collector**

Features

- Specially designed for reverse jet-type dust collector systems
- High flow Cv(s) to 140 for effective bag cleaning
- High cycle life
- Fast opening/closing

Construction

Valve Parts in Contact with Fluids	
Body	Aluminum
Seals	NBR
Diaphragm	NBR, HYT or CR as noted
Discs	NBR or PA, as noted

Electrical

Standard Coil and Class of Insulation	Watt Rating and Power Consumption			Spare Coil Part Number	
	AC			General Purpose	Explosionproof
	Watts	VA Holding	VA Inrush	AC	AC
F	6.1	16	30	238210	238214
F	10.1	25	50	238610	238614
F	17.1	40	70	238610	238614

Standard Voltages: 24, 120, 240, 480 volts AC, 60 Hz (or 110, 220 volts AC, 50 Hz), Consult factory for DC voltage. Other voltages available when required.

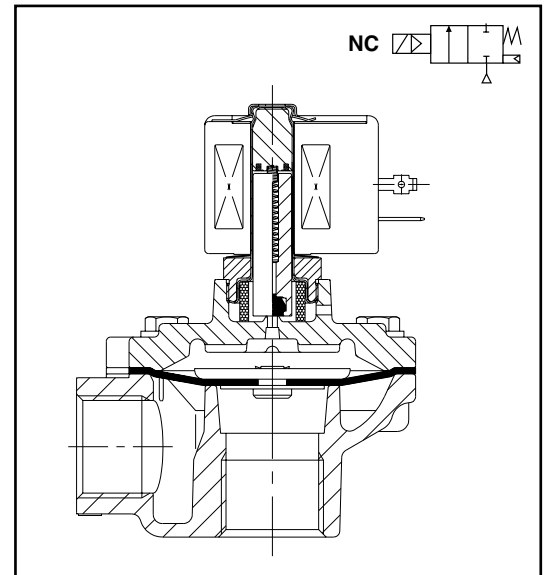
Solenoid Enclosures

Standard: Watertight, Types 1, 2, 3, 3S, 4, and 4X.

Optional: Explosionproof and Watertight, Types 3, 3S, 4, 4X, 6, 6P, 7, and 9. (To order, add prefix "EF" to catalog number.)

See *Optional Features Section* for other available options.

Consult your local ASCO office for details on accessories.



SPECIAL SERVICE VALVES

Nominal Temp. Ranges

Ambient: AC constructions: 0°F to 185°F (-18°C to 85°C); 150°F (66°C) for valves with HYT diaphragms
Consult local sales office for DC constructions.

Fluids: 0°F to 185°F (-18°C to 85°C), except as noted. For temperatures to 300°F (149°C), specify FPM, suffix "V" (except where noted).

Refer to *Engineering Section* for details.

2/2 SERIES Dust Collector



Specifications (English units)

Pipe Size (in)	Orifice Size (in)	Cv Flow Factor	Min. Operating Pressure Differential (psi) ⑥	Max. Operating Pressure Differential (psi) ⑥	Integral Pilot		Remote Pilot Construction (Minimum Pilot Valve Orifice Size = 1/8")	Const. Ref.	Watt Rating/Class of Coil Insulation AC	Rebuild Kit AC Valves Kit No.	Diaphragm Only 10 Pack "Zip" Kit Kit No.
					Catalog Number	Catalog Number					
3/4	3/4	10.5	5	125	-	-	8353C033 ③	1	-	96875	238864
3/4 ①	3/4	10.5	5	125	-	-	8353C030 ③	1	-	96875	238864
3/4 ②	3/4	10.5	5	125	-	-	8353C004 ③	1	-	96875	238864
1	1 1/8	20	5	125	-	-	8353C035 ④	1	-	200262	238866
1	1 1/8	20	5	125	8353G041 ④	-	-	4	6.1/F	316563	238866
1	1 5/8	18	15	125	8353G006 ⑤⑧	-	-	3	17.1/F	300144	-
1 1/4	1 5/8	20	15	125	8353G005 ⑤⑧	-	-	3	17.1/F	300144	-
1 1/2	1 1/2	35	15	125	8353G001 ⑤⑧	-	-	3	17.1/F	300144	-
1 1/2	2	53	10	125	-	8353H038 ④	-	2	-	276886	238870
1 1/2	2	53	5	125	8353J039 ④	-	-	5	10.1/F	322108	238870
1 1/2	2	48	5	125	8353G061 ⑨	-	-	5	10.1/F	316297	-
1 1/2	2	48	10	125	-	8353A062 ⑨	-	2	-	276884	-
2	2	60	15	125	8353G002 ⑤⑧	-	-	3	17.1/F	300145	-
2	2	76	5	125	-	8353 048 ⑥⑦	-	2	-	256802	256797
2	2	76	5	125	8353G050 ⑥	-	-	5	10.1/F	316029	256797
2 1/2	3	82	15	125	8353G007 ⑤	-	-	6	10.1/F	176878	-
3	3	140	15	125	8353G008 ⑤	-	-	6	10.1/F	176878	-

① Supplied with internal slip fit connection on outlet.
 ② Extended ends for Dresser connections.
 ③ NBR diaphragm.
 ④ HYT diaphragm max. fluid temp. 150°F.
 For higher temperature, consult factory.
 ⑤ CR diaphragm/PA disc.
 ⑥ CR diaphragm.
 ⑦ Minimum pilot orifice size 7/32".
 ⑧ Consult factory for remote piloted construction.
 ⑨ NBR diaphragm, PA disc, long-life construction. Maximum fluid temp. 185°F.
 ⑩ Contact local sales office for DC pressure requirements.

Specifications (Metric units)

Pipe Size (in)	Orifice Size (mm)	Kv Flow Factor (m³/h)	Min. Operating Pressure Differential (bar) ⑥	Max. Operating Pressure Differential (bar) ⑥	Integral Pilot		Remote Pilot Construction (Minimum Pilot Valve Orifice Size = 1/8")	Const. Ref.	Watt Rating/Class of Coil Insulation AC	Rebuild Kit AC Valves Kit No.	Diaphragm Only 10 Pack "Zip" Kit Kit No.
					Catalog Number	Catalog Number					
3/4	19	9.0	0.3	8.6	-	-	8353C033 ③	1	-	96875	238864
3/4 ①	19	9.0	0.3	8.6	-	-	8353C030 ③	1	-	96875	238864
3/4 ②	19	9.0	0.3	8.6	-	-	8353C004 ③	1	-	96875	238864
1	29	17.1	0.3	8.6	-	-	8353C035 ④	1	-	200262	238866
1	29	17.1	0.3	8.6	8353G041 ④	-	-	4	6.1/F	316563	238866
1	41	15.4	1.0	8.6	8353G006 ⑤⑧	-	-	3	17.1/F	300144	-
1 1/4	41	17.1	1.0	8.6	8353G005 ⑤⑧	-	-	3	17.1/F	300144	-
1 1/2	38	30.0	1.0	8.6	8353G001 ⑤⑧	-	-	3	17.1/F	300144	-
1 1/2	51	45.4	0.7	8.6	-	8353H038 ④	-	2	-	276886	238870
1 1/2	51	45.4	0.3	8.6	8353J039 ④	-	-	5	10.1/F	322108	238870
1 1/2	51	41.1	0.3	8.6	8353G061 ⑨	-	-	5	10.1/F	316297	-
1 1/2	51	41.1	0.7	8.6	-	8353A062 ⑨	-	2	-	276884	-
2	51	51.4	1.0	8.6	8353G002 ⑤⑧	-	-	3	17.1/F	300145	-
2	51	65.1	0.3	8.6	-	8353 048 ⑥⑦	-	2	-	256802	256797
2	51	65.1	0.3	8.6	8353G050 ⑥	-	-	5	10.1/F	316029	256797
2 1/2	76	70.3	1.0	8.6	8353G007 ⑤	-	-	6	10.1/F	176878	-
3	76	120.0	1.0	8.6	8353G008 ⑤	-	-	6	10.1/F	176878	-

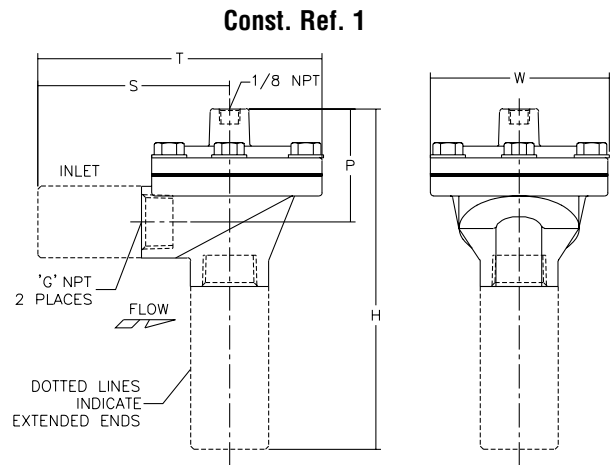
SPECIAL SERVICE VALVES

ASCO®

2/2 SERIES Dust Collector

Dimensions inches (mm)

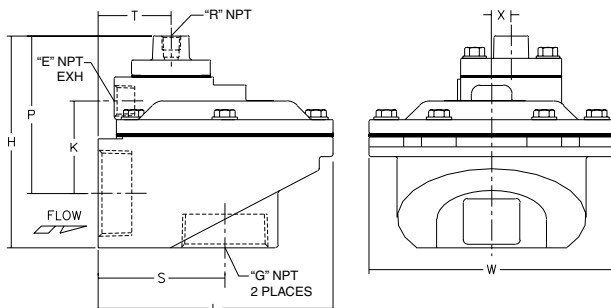
Cat. No.	"G"		H	L	P	Bonnet Bolts	T	W
8353C004	Extended End	in	7.94	3.69	2.16	5.00	5.16	3.44
		mm	201.6	93.7	54.8	127.0	131.0	87.3
8353C030	3/4 NPT (Inlet)	in	3.44	1.69	2.19	5.00	3.47	3.44
		mm	87.3	42.9	55.6	127.0	88.1	87.3
	3/4 Socket (Outlet)	in	3.44	1.69	2.19	5.00	3.47	3.44
		mm	87.3	42.9	55.6	127.0	88.1	87.3
8353C033	3/4 NPT	in	3.44	1.69	2.19	5.00	3.47	3.44
		mm	87.3	42.9	55.6	127.0	88.1	87.3
8353C035	1 NPT	in	2.53	2.03	1.69	4.00	3.50	2.94
		mm	64.3	51.6	42.9	101.6	88.9	74.6



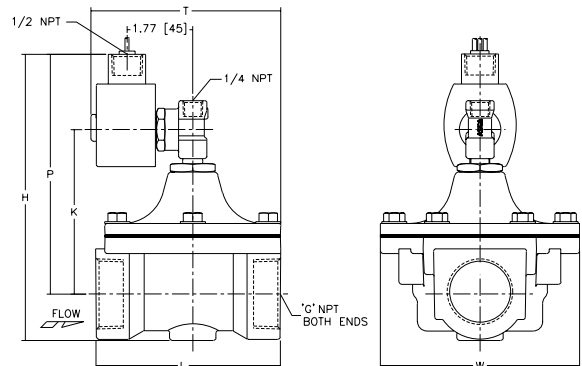
Cat. No.	"E" NPT	"G" NPT		H	L	P	"R" NPT	S	T	W	X
8353H038	3/8	1 1/2	in	4.63	5.16	3.44	1/8	2.78	1.61	5.38	0.44
			mm	117.5	131.0	87.3	1/8	70.6	40.9	136.5	11.1
8353A062	3/8	1 1/2	in	5.16	5.16	3.44	1/8	2.78	1.61	5.38	0.44
			mm	131.0	131.0	87.3	1/8	70.6	40.9	136.5	11.1
8353 048	3/4	2	in	6.47	6.63	4.69	1/4	3.75	2.56	6.50	-
			mm	164.3	168.3	119.1	1/4	95.3	65.1	165.1	-

Cat. No.	"G" NPT		H	L	P	S	T	W
8353G001	1 1/2	in	7.72	5.00	6.47	1.78	5.13	5.38
		mm	196.1	127.0	164.3	45.2	130.2	136.5
8353G002	2	in	8.34	6.09	6.84	1.78	5.56	6.34
		mm	211.9	154.8	173.8	45.2	141.3	161.1
8353G005	1 1/4	in	7.72	5.00	6.47	1.78	5.13	5.38
		mm	196.1	127.0	164.3	45.2	130.2	136.5
8353G006	1	in	7.72	5.00	6.41	1.78	5.13	5.38
		mm	196.1	127.0	162.7	45.2	130.2	136.5

Const. Ref. 2



Const. Ref. 3



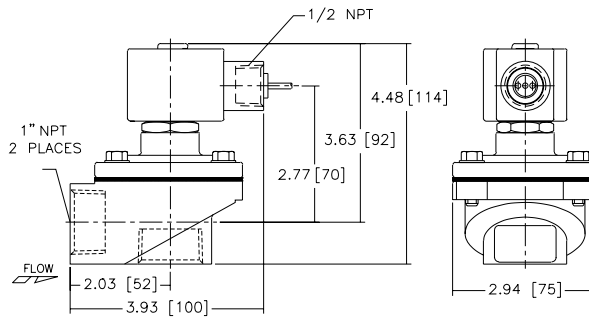
SPECIAL SERVICE VALVES

**2/2
SERIES
Dust
Collector**

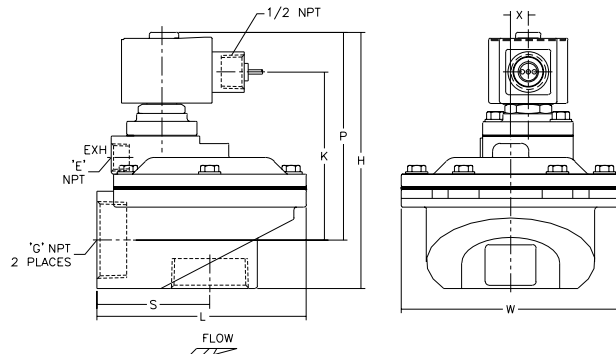


Dimensions inches (mm)

Const. Ref. 4

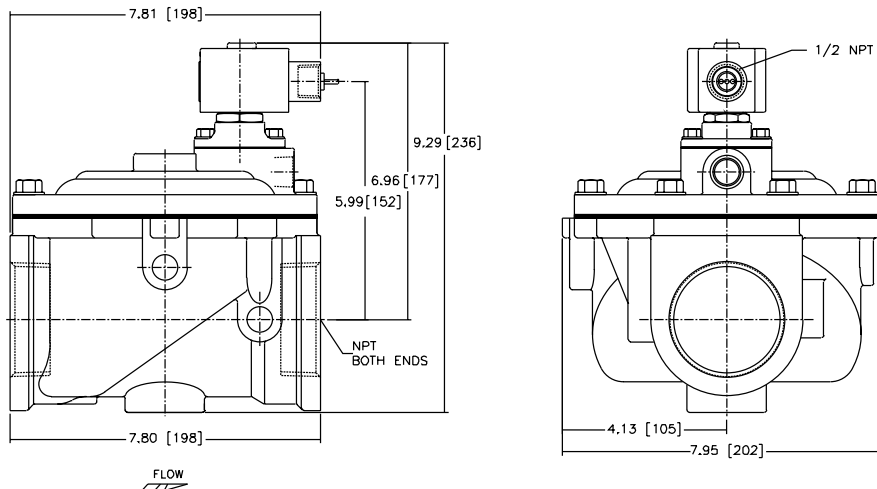


Const. Ref. 5



Cat. No.	"E" NPT	"G" NPT		H	L	P	S	T	W	X
8353J039	3/8	1 1/2	in	6.28	5.16	5.08	2.78	1.61	5.38	0.44
			mm	159.5	131.0	129.0	70.6	40.9	136.5	11.1
8353G061	3/8	1 1/2	in	6.28	5.16	5.08	2.78	1.61	5.38	0.44
			mm	159.5	131.0	129.0	70.6	40.9	136.5	11.1
8353G050	3/4	2	in	8.25	6.63	6.47	3.75	2.56	6.50	-
			mm	209.6	168.3	164.3	95.3	65.1	165.1	-

Const. Ref. 6



SPECIAL SERVICE VALVES