

888-487-6711

FAX: 203.261.8331 • www.OKAutomation.com



AUTOMATION

An O'Keefe Controls Company

Specialists in Valves, Controls, Pneumatics and Fluid Measurement

INTRODUCING THE STAINLESS SERIES



Where Custom Solutions Become Standard.

Monnier's stainless steel products are manufactured in Algonac, MI.

O'Keefe Controls Co. is now



An O'Keefe Controls Company

INTRODUCING

THE STAINLESS SERIES

Monnier now offers a line of miniature particulate filters, coalescing filters, regulators and filter/regulators in 316 Stainless Steel. Designed to withstand caustic solutions, harsh operating conditions and other demanding applications, the Monnier Stainless Line is ideal for the following industries:

- Food preparation and packaging
- Pharmaceutical
- Natural gas
- Offshore
- Wastewater treatment

Designed with those demanding applications in mind, highlights of the Monnier Stainless Line include:

- **316 Stainless Steel:** All metal components, including internals, are made of 316 SS, making them the most impervious to any sort of degradation.
- **NACE Compliant:** Each component of the Stainless Line adheres to the NACE MR0175 standard.
- **Flexibility:** All options found in our machined aluminum miniature series are available in the Stainless Line, including pressure ranges, element ratings and automatic drain options.

WARRANTY: Monnier, Inc. warrants each product against defects in material and workmanship for a period of one year from the date of manufacture providing its use was in accordance with Monnier, Inc. recommendations. If the product fails to perform as warranted, Monnier, Inc. will, at its option, repair or replace the product free of charge. The company will not be liable for incidental or consequential damages. We make no other warranty, expressed or implied, including warranties of merchantability or fitness for a particular purpose.

Stainless Steel Particulate Filters

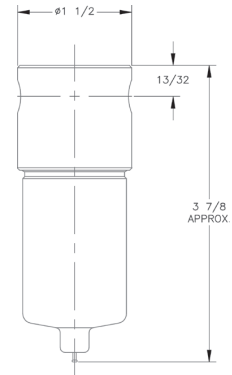
204S-3200 Series



Features:

- NACE MR0175 Compliant
- 316 SS housing and internal components
- Excellent water and particulate removal efficiency
- Threaded bowl and element retainer for easy maintenance
- Bowl seal held captive
- 20 micron element standard; 10 & 5 micron elements available
- Manual or automatic drains
- Whirl disc design creates high centrifugal force with minimal pressure drop
- 1 ounce full capacity
- High flow: 25 SCFM @ 80 PSIG inlet with 7 PSI ΔP

Dimensions:



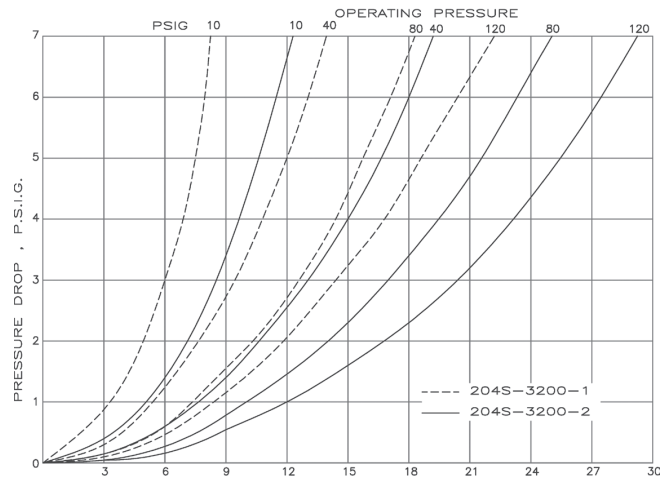
Operating Specifications

Maximum Pressure: 250 PSI
Maximum Temperature: 200°F

Materials of Construction

Head: 316 Stainless Steel
Bowl: 316 Stainless Steel
Whirl Disc: 316 Stainless Steel
Element Retainer: Polypropylene
Element: Phenolic/Melamine Impregnated Cellulose
Seals: Fluorocarbon
Drain: 316 Stainless Steel (Manual & Impulse)

Flow Characteristics



Replacement Parts

Elements	20 Micron	23004
	10 Micron	23025
	5 Micron	23024
Bowl Kits w/Drains	Manual Drain	23533SS
	Impulse Drain	23534SS

Ordering Information

204S - 3200 - 2 D

00 20 Micron Elements
01 10 Micron Elements
02 5 Micron Elements

1 1/8" NPT Pipe Size
2 1/4" NPT Pipe Size

Blank Manual Drain
D Impulse (Automatic) Drain

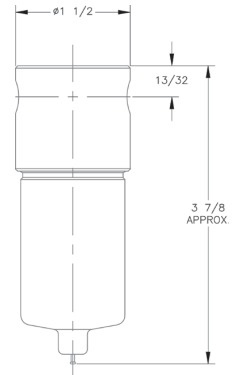
Stainless Steel Coalescing Filters 204S-3209 Series



Features:

- NACE MR0175 Compliant
- 316 SS housing and internal components
- Removes more than 99.95% of oil and dirt from air lines
- Threaded bowl and element retainer for easy maintenance
- Bowl seal held captive
- .3 micron element standard; .01 available for high purity applications
- Manual or automatic drains
- 1 ounce full capacity

Dimensions:



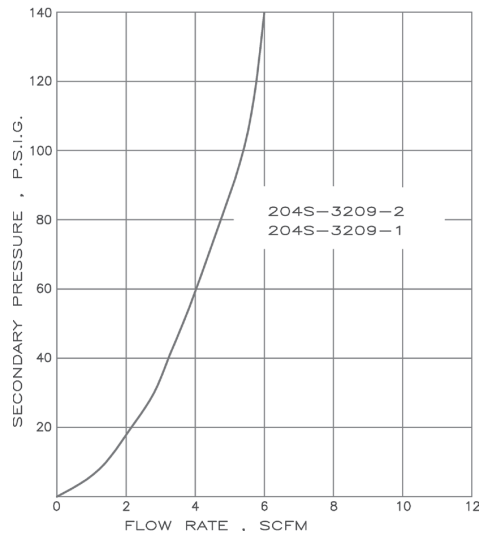
Operating Specifications

Maximum Pressure: 250 PSI
Maximum Temperature: 200°F

Materials of Construction

Head: 316 Stainless Steel
Bowl: 316 Stainless Steel
Whirl Disc: 316 Stainless Steel
Element Retainer: Polypropylene
Element: Phenolic/Melamine Impregnated Cellulose
Seals: Fluorocarbon
Drain: 316 Stainless Steel (Manual & Impulse)

Flow Characteristics



Data represents flows through saturated elements at 2 PSI pressure drop, the maximum permissible for proper coalescing action.

Replacement Parts

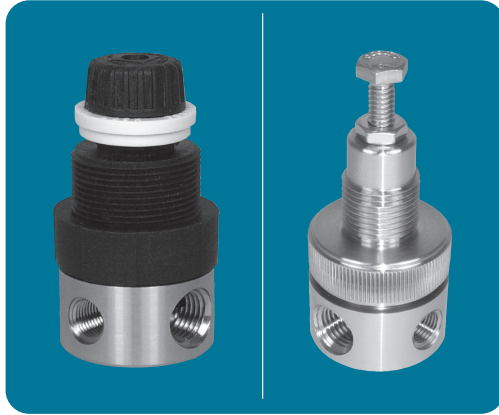
Elements	.3 Micron	23543
	.01 Micron	23751
Bowl Kits w/Drains	Manual Drain	23533SS
	Impulse Drain	23534SS

Ordering Information

204S - 3209 - 2 D

Elements	Pipe Size	Drain
09 .3 Micron	1 1/8" NPT	Blank Manual
08 .01 Micron	2 1/4" NPT	D Impulse (Automatic)
		Drain

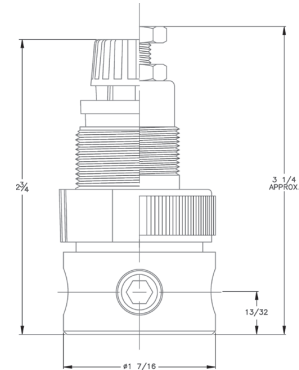
Stainless Steel Regulators 101S-3000 Series



Features:

- NACE MR0175 Compliant
- All metal components are 316 SS
- Available with stainless steel or acetal bonnet with locking ring
- Diaphragm design for greater accuracy, responsiveness and repeatability
- Fluorocarbon seals
- Available in relieving or non-relieving
- Relieving bonnet is designed without relief hole for greater protection in harsh environments

Dimensions:



Operating Specifications

Maximum Pressure: 250 PSI
Maximum Temperature: 200°F

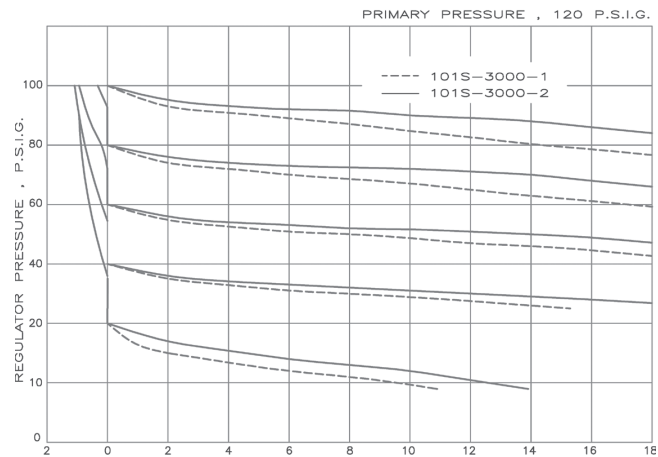
Materials of Construction

Body: 316 Stainless Steel
Bonnet: 316 Stainless Steel (111 Series); Acetal (101 Series)
Adjustment Screw: 316 Stainless Steel
Poppet: Fluorocarbon
Poppet Seat: 316 Stainless Steel
Diaphragm Assembly: Fluorocarbon w/ 316 SS Components
Seals: Fluorocarbon
Springs: 316 Stainless Steel

Accessories

Mounting Nut: 13133SS (101); 13025SS (111)

Relief & Flow Characteristics



Replacement Parts

Repair Kit	Relieving	13532SS
	Non-Relieving	13533SS

Ordering Information

101S - 3000 - 2 P

Bonnet	Gauge Ports	Pressure Range	Pipe Size	Options
0 Acetal	0 Gauge Ports	00 10-130 PSI Relieving	1 1/8" NPT	Blank None (Standard)
1 316 SS	1 No Gauge Ports	01 10-130 PSI Non-Relieving	2 1/4" NPT	P Preset
		02 5-60 Relieving		T Tamper Resistant (Acetal Bonnet)
		03 5-60 Non-Relieving		T Non-Adjustable
		04 3-30 Relieving		Set Screw (SS Bonnet)
		05 3-30 Non-Relieving		
		06 20-250 Relieving		
		07 20-250 Non-Relieving		
		08 1-10 Relieving		
		09 1-10 Non-Relieving		

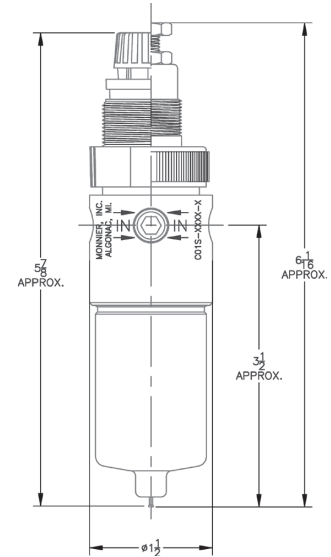
Stainless Steel Filter/Regulators B01S-3200 Series



Features:

- NACE MR0175 Compliant
- All metal components are 316 SS
- Available with stainless steel or acetal bonnet with locking ring
- Diaphragm design for greater accuracy, responsiveness and repeatability
- Fluorocarbon seals
- Threaded bowl and element retainer for easy maintenance
- Bowl seal held captive
- Manual or automatic drains

Dimensions:



Operating Specifications

Maximum Inlet Pressure: 250 PSI
Maximum Temperature: 200°F

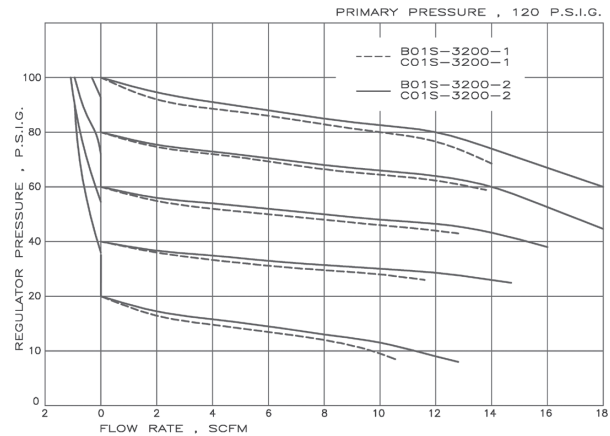
Accessories

Mounting Nut:
13133SS (B01); 13025SS (C01)

Materials of Construction

Body: 316 Stainless Steel
Bonnet: 316 Stainless Steel (C01 Series); Acetal (B01 Series)
Adjustment Screw: 316 Stainless Steel
Poppet: Fluorocarbon
Poppet Seat: 316 Stainless Steel
Diaphragm Assembly: Fluorocarbon w/ 316 SS Components
Seals: Fluorocarbon
Springs: 316 Stainless Steel
Bowl: 316 Stainless Steel
Whirl Disc: 316 Stainless Steel
Element Retainer: Polypropylene
Element: Phenolic/Melamine Impregnated Cellulose
Drain: 316 Stainless Steel (Manual & Impulse)

Relief & Flow Characteristics



Replacement Parts

Repair Kit	Relieving	13532SS
	Non-Relieving	13533SS
Elements	20 Micron	23004
	10 Micron	23025
	5 Micron	23024
Bowl Kits w/Drains	Manual Drain	23533SS
	Impulse Drain	23534SS

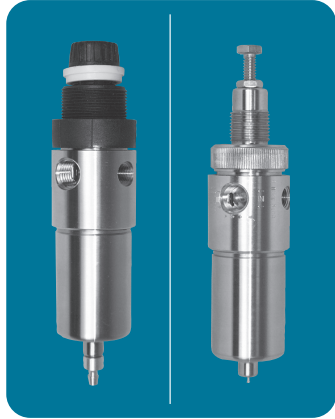
Ordering Information

B01S - 3200 - 2 D

Bonnet	Pressure Range	Elements	Pipe Size
B Acetal	0 10-130 PSI Relieving	0 20 Micron	1 1/8" NPT
C 316 SS	1 10-130 PSI Non-Relieving	1 10 Micron	2 1/4" NPT
	2 5-60 Relieving	2 5 Micron	
	3 5-60 Non-Relieving		
	4 3-30 Relieving		
	5 3-30 Non-Relieving		
	6 20-250 Relieving	Drain	
	7 20-250 Non-Relieving	Blank Manual	
	8 1-10 Relieving	D Impulse (Automatic) Drain	
	9 1-10 Non-Relieving		

Stainless Steel Coalescing Filter/Regulators

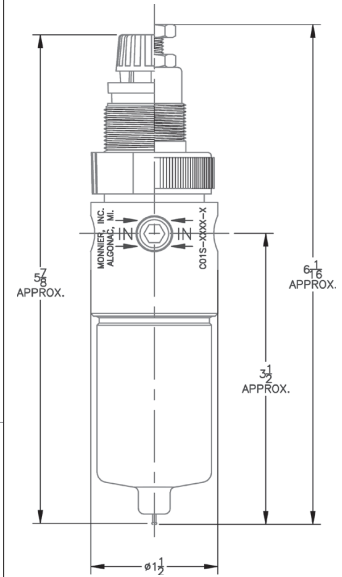
B01S-3209 Series



Features:

- NACE MR0175 Compliant
- Available with stainless steel or acetal bonnet with locking ring
- Diaphragm design for greater accuracy, responsiveness and repeatability
- Fluorocarbon seals
- Excellent water and particulate removal efficiency
- Threaded bowl and element retainer for easy maintenance
- Bowl seal held captive
- .3 micron element standard; .01 available for high purity applications
- Manual or automatic drains

Dimensions:



Operating Specifications

Maximum Inlet Pressure: 250 PSI
Maximum Temperature: 200°F

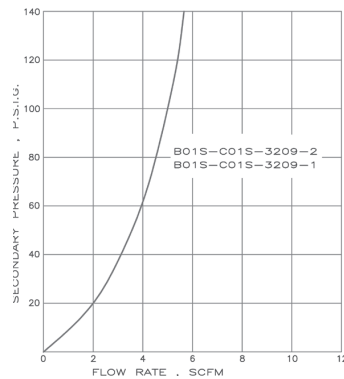
Accessories

Mounting Nut:
13133SS (B01); 13025SS (C01)

Materials of Construction

Body: 316 Stainless Steel
Bonnet: 316 Stainless Steel (C01 Series); Acetal (B01 Series)
Adjustment Screw: 316 Stainless Steel
Poppet: Fluorocarbon
Poppet Seat: 316 Stainless Steel
Diaphragm Assembly: Fluorocarbon w/ 316 SS Components
Seals: Fluorocarbon
Springs: 316 Stainless Steel
Bowl: 316 Stainless Steel
Whirl Disc: 316 Stainless Steel
Element Retainer: Polypropylene
Element: Phenolic/Melamine Impregnated Cellulose
Drain: 316 Stainless Steel (Manual & Impulse)

Relief & Flow Characteristics



Data represents flows through saturated elements at 2 PSI pressure drop, the maximum permissible for proper coalescing action.

Replacement Parts

Repair Kit	Relieving	13532SS
	Non-Relieving	13533SS
Elements	.3 Micron	23543
	.01 Micron	23751
Bowl Kits w/Drains	Manual Drain	23533SS
	Impulse Drain	23534SS

Ordering Information

C01S - 3209 - 2 D

Bonnet	Pressure Range	Elements	Pipe Size
B Acetal	0 10-130 PSI Relieving	9 .3 Micron	1 1/8" NPT
C 316 SS	1 10-130 PSI Non-Relieving	8 .01 Micron	2 1/4" NPT
	2 5-60 Relieving		
	3 5-60 Non-Relieving		
	4 3-30 Relieving		
	5 3-30 Non-Relieving		
	6 20-250 Relieving		
	7 20-250 Non-Relieving		
	8 1-10 Relieving		
	9 1-10 Non-Relieving		
		Drain	
		Blank Manual	
		D Impulse (Automatic) Drain	

MSS8-09

The Monnier Stainless Line makes the toughest line of air preparation products even tougher. Our traditional machined aluminum series has long been the industry standard for rugged demanding applications. Enhanced by the new Stainless Line, there is no application that a Monnier product cannot handle.

Monnier is known as the manufacturer "Where Custom Solutions Become Standard." Our expertise at developing application specific, custom product is unparalleled in the fluid power industry.

For more information on our standard products or custom development capabilities please call or email us.



Where Custom Solutions Become Standard.