

## Industrial Level Transmitters & Transducers

# Cage-Protected Submersible



## 613 SERIES

- Ranges from 0 psi to 5 psi through 0 psi to 300 psi
- Current & voltage outputs available
- 316 Stainless Steel and polyurethane wetted parts
- CE compliant to suppress RFI, EMI and ESD

### APPLICATIONS

- Lift stations
- Sewage
- Slurry tanks
- Storm canals
- Water & wastewater
- Wet wells

### SPECIFICATIONS

<b>Output signals</b>	4 mA to 20 mA, 2-wire; 0 Vdc to 5 Vdc and 0 Vdc to 10 Vdc, 3-wire; 0.5 Vdc to 2.5 Vdc, 3-wire
<b>Pressure ranges</b>	0 psi to 5 psi through 0 psi to 300 psi
<b>Accuracy</b>	± 0.25% full scale (BFSL); optional ± 0.125% full scale (BFSL); (includes the effects of non-linearity, hysteresis, non-repeatability, zero point and full scale errors)
<b>Stability</b>	≤ ± 0.2% full scale for 1 year, non-accumulating
<b>Response time</b>	≤ 1 ms (between 10% and 90% full scale)
<b>Service life</b>	> 100,000,000 full scale cycles
<b>Temperature measurement</b>	Optional PT100, 4-wire per IEC 60751
<b>Temperature ranges</b>	Compensated 32 °F to 122 °F/0 °C to 50 °C Effect ± 0.01%/ °F for zero and span Media 14 °F to 122 °F / -10 °C to 50 °C Storage -22 °F to 175 °F/ -30 °C to 80 °C
<b>Power requirement*</b>	10 Vdc to 30 Vdc (4 mA to 20 mA, 2-wire, 0 Vdc to 5 Vdc, 3-wire) 5 Vdc to 30 Vdc (0.5 Vdc to 2.5 Vdc, 3-wire) 14 Vdc to 30 Vdc (0 Vdc to 10 Vdc, 3-wire)
<b>Load limitations</b>	≤ (VPower-10)/0.020 Amp for 4 mA to 20 mA ≥ 10,000 Ω for 0 Vdc to 10 Vdc, 3-wire ≥ 5,000 Ω for 0 Vdc to 5 Vdc, 3-wire
<b>Proof pressure</b>	2 times range
<b>Burst pressure</b>	4 times range
<b>Measuring element</b>	Cage seal: All 316 Stainless Steel Cable: Polyurethane, optional FEP
<b>Connection</b>	316 Stainless Steel
<b>Housing material</b>	316 Stainless Steel
<b>Environmental rating</b>	IP68
<b>Electromagnetic rating</b>	CE compliant to EMC norm EN 61326:2014/A1:1998 RFI, EMI and ESD protection
<b>Electrical protection</b>	Reverse polarity protection, short circuit and optional lightning protection per EN 6100-4-5; 1.5J
<b>Shock</b>	100 g's according to IEC 60068-2-27
<b>Vibration</b>	15 g's according to IEC 60068-2-6
<b>Weight</b>	Approximately 3.2 lb. - cable extra

\* Unregulated

## 613 SERIES ORDERING INFORMATION DIMENSIONS

ORDERING INFORMATION				
<b>SERIES</b>	<b>613</b>			
<b>PRESSURE RANGES</b>	<b>5</b> 0 psi to 5 psi (11.55 ft/H <sub>2</sub> O)	<b>20</b> 0 psi to 20 psi (46.20 ft/H <sub>2</sub> O)	<b>75</b> 0 psi to 75 psi (173.25 ft/H <sub>2</sub> O)	<b>300</b> 0 psi to 300 psi (693 ft/H <sub>2</sub> O)
	<b>10</b> 0 psi to 10 psi (23.10 ft/H <sub>2</sub> O)	<b>30</b> 0 psi to 30 psi (69.30 ft/H <sub>2</sub> O)	<b>100</b> 0 psi to 100 psi (231.00 ft/H <sub>2</sub> O)	
	<b>15</b> 0 psi to 15 psi (34.65 ft/H <sub>2</sub> O)	<b>50</b> 0 psi to 50 psi (115.50 ft/H <sub>2</sub> O)	<b>150</b> 0 psi to 150 psi (346.50 ft/H <sub>2</sub> O)	
<b>ACCURACIES</b>	<b>1</b> ±0.25% full scale (BFSL)	<b>2</b> ±0.125% full scale (BFSL)		
<b>OUTPUT SIGNALS</b>	<b>1</b> 4 mA to 20 mA, 2-wire	<b>5</b> 0 Vdc to 10 Vdc, 3-wire		
	<b>2</b> 0 Vdc to 5 Vdc, 3-wire	<b>11</b> 0.5 Vdc to 2.5 Vdc, 3-wire		
<b>ELECTRICAL CONNECTIONS</b>	<b>XX</b> Standard polyurethane (PUR) cable NOTE: XX = length of cable in feet.		<b>38-XX</b> Optional FEP cable	
<b>OPTIONS</b>	<b>CBC</b> Cable Clamp	<b>FE</b> Filter Element	<b>LP</b> Lightning Protection *	<b>PT1</b> PT100 RTD *
	<b>DC</b> Desiccant Cartridge	<b>JB</b> Cable Junction Box	<b>LR</b> Lifting Ring	

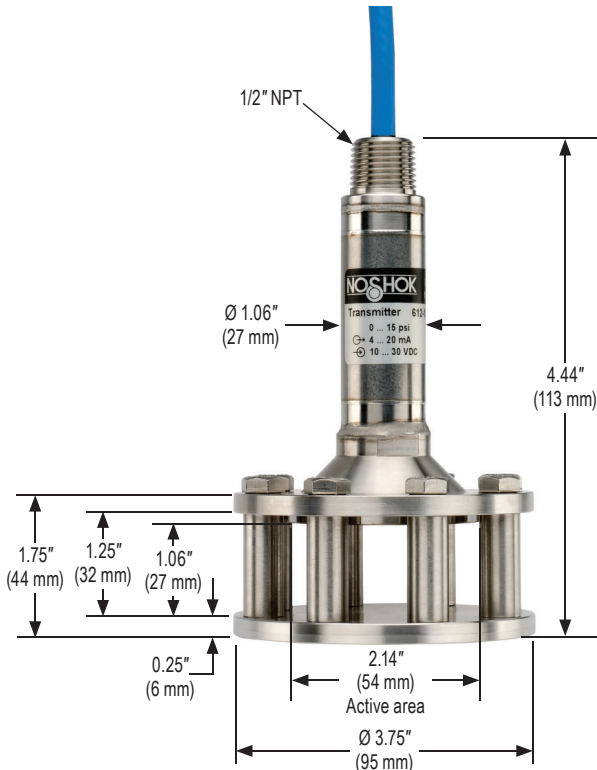
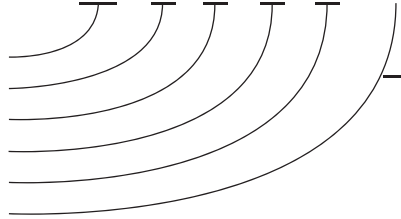
Please consult your local NOSHOK Distributor or NOSHOK, Inc. for availability and delivery information.

\* Only available with PUR cable

### EXAMPLE

Series .....613 Series  
 Pressure range .....0 psi to 5 psi  
 Accuracy .....±0.25% full scale (BFSL)  
 Output signal ..... 4 mA to 20 mA, 2-wire  
 Electrical connection ..... 50' of submersible polyurethane cable  
 Option ..... Lifting Ring

613 - 5 - 1 - 1 - 50' - LR



Optional Cable Clamp



Optional Cable Junction Box



Optional Desiccant Cartridge



Optional Filter Element



Optional Lifting Ring